

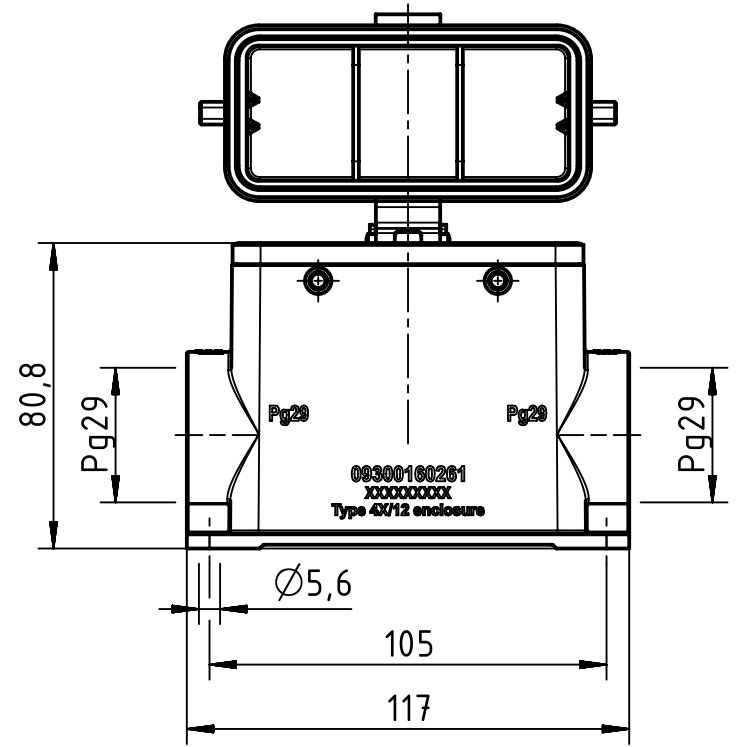
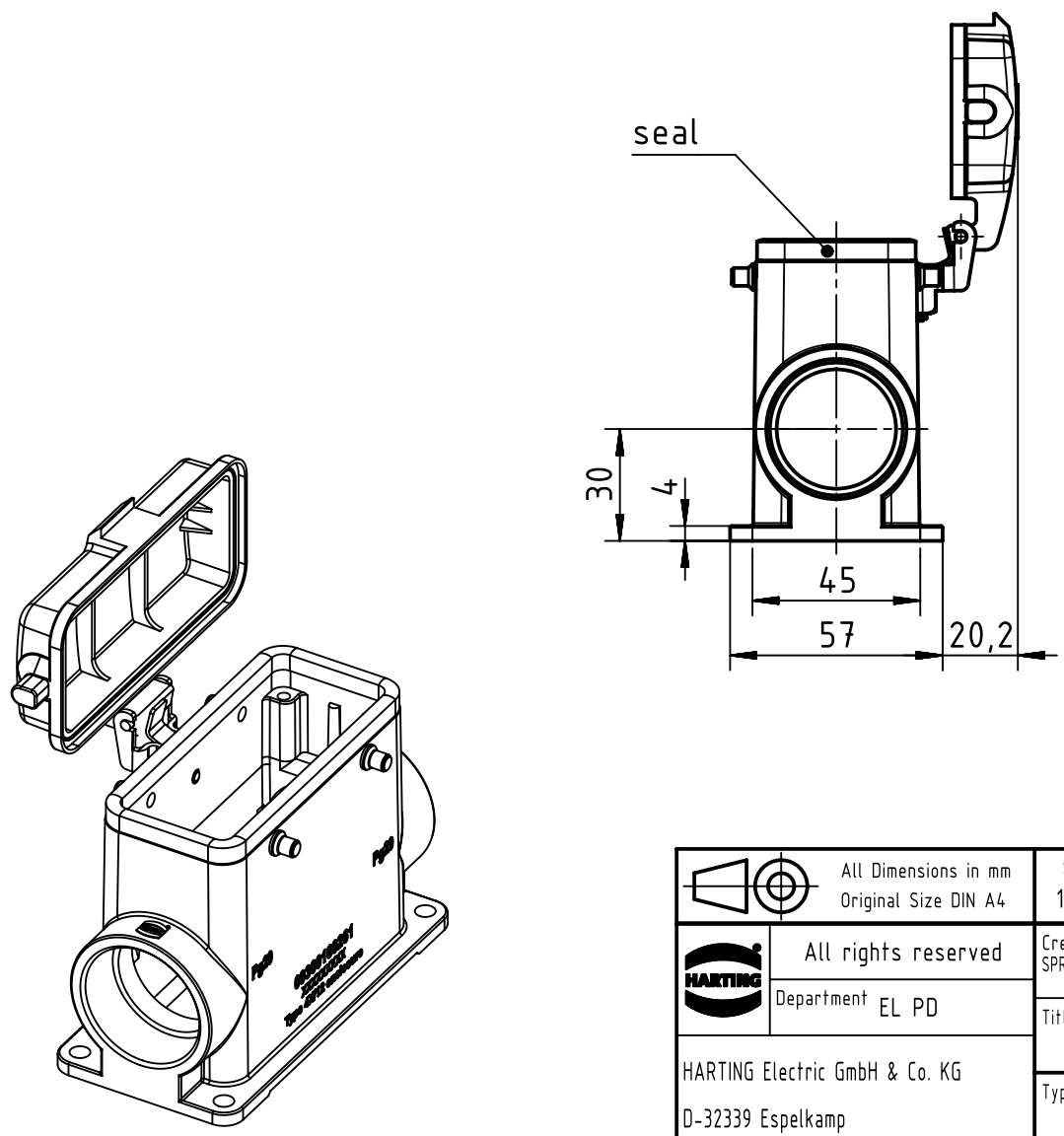
1 2 3 4 5 6


A

B

C

D



	All rights reserved		Created by SPRENB		Inspected by GERB		Standardisation GARSKE		Date 2020-01-07		State Final Release	
	Department EL PD		Title Han 16B-asg2-K-29		Number 09 30 016 0261		Doc-Key / ECM-Nr. 100209876/UGD/004/C 500000162090		Rev. C		Page 1/1	
HARTING Electric GmbH & Co. KG D-32339 Espelkamp			All Dimensions in mm Original Size DIN A4		Scale 1:2 Free size tol.		Ref. Sub.					