

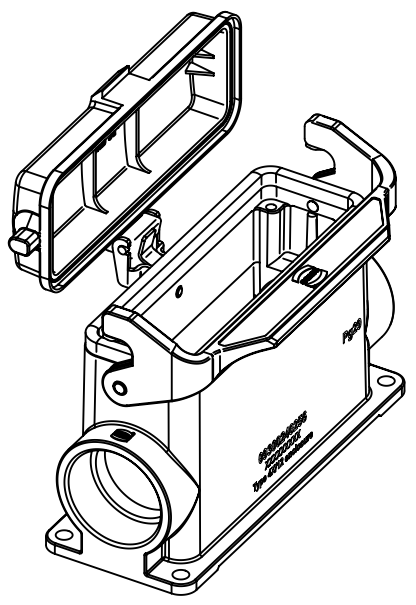
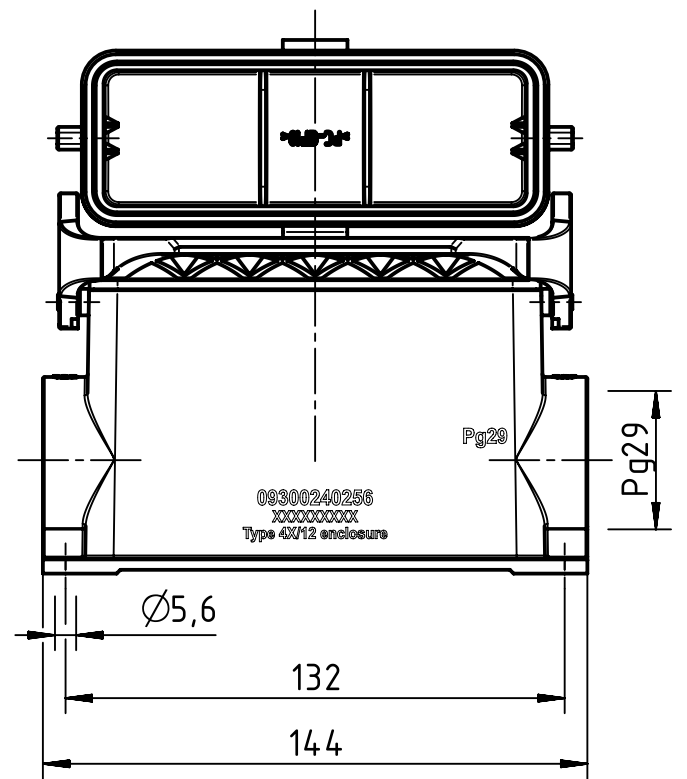
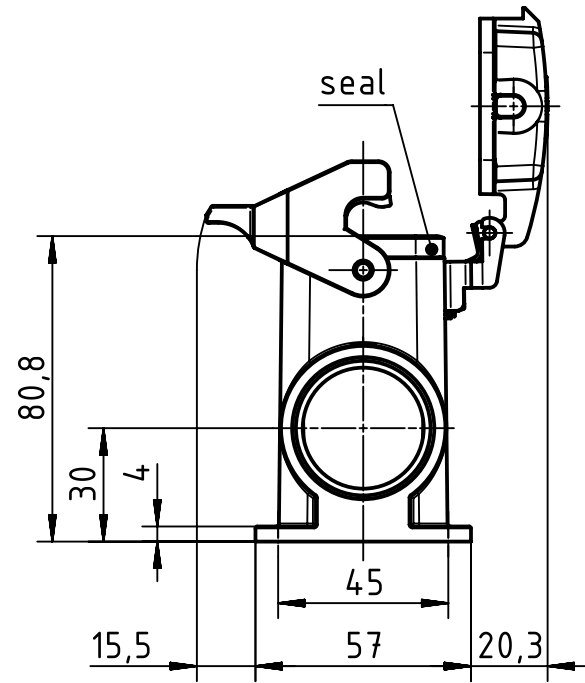
1 2 3 4 5 6

A

B

C

D



	All Dimensions in mm Original Size DIN A4		Scale 1:2	Free size tol.		Ref.		
						Sub.		
	All rights reserved		Created by FINKEV	Inspected by GERB	Standardisation GARSKE	Date 2020-03-03	State Final Release	
	Department EL PD		Title Han 24B-HSM1/CM-HC-SL-Pg29				Doc-Key / ECM-Nr. 100205721/UGD/004/B 500000166175	
HARTING Electric GmbH & Co. KG D-32339 Espelkamp			Type TB	Number 09 30 024 0256			Rev. B	Page 1/1