

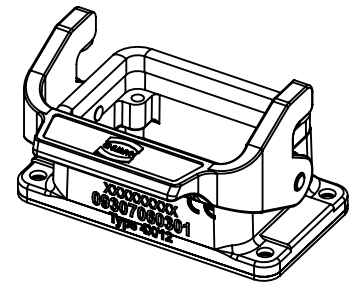
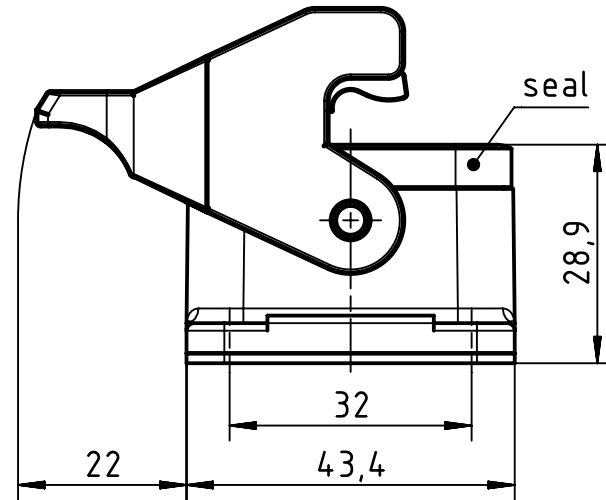
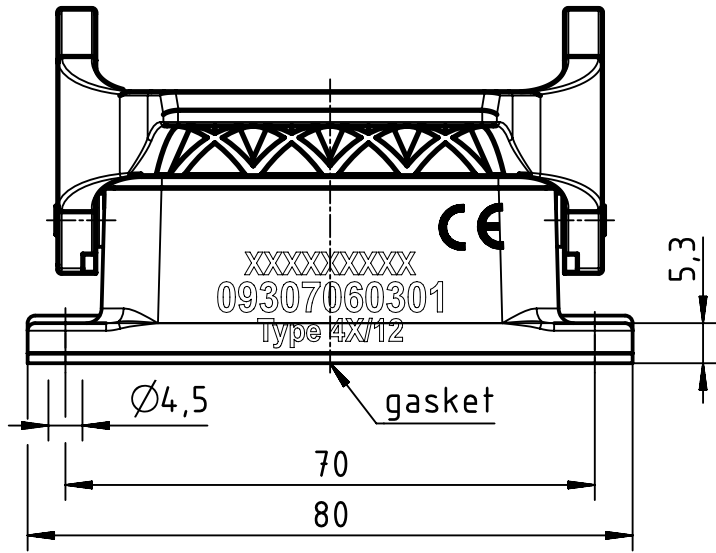
1 2 3 4 5 6

A

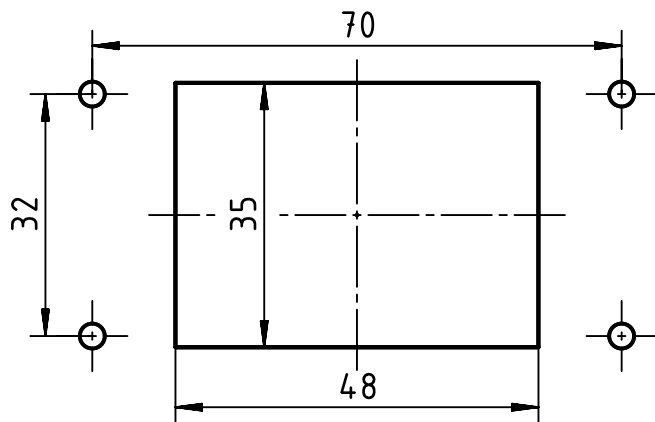
B


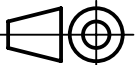

C

D



panel cut out



	All rights reserved		Created by SPRENB		Inspected by GERB		Standardisation 302077		Date 2020-11-13		State Final Release	
	Department EL PD		Title Han B Base Panel 1 Lever		Number 09 30 706 0301		Doc-Key / ECM-Nr. 100507424 / UGD / 002 / D 500000178137		Rev. D		Page 1/1	
 All Dimensions in mm Original Size DIN A4			Scale 1:1		Free size tol.		Ref.		Sub.			
 HARTING Electric GmbH & Co. KG D-32339 Espelkamp												