

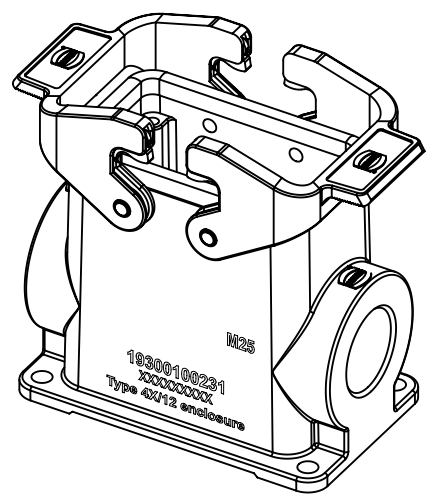
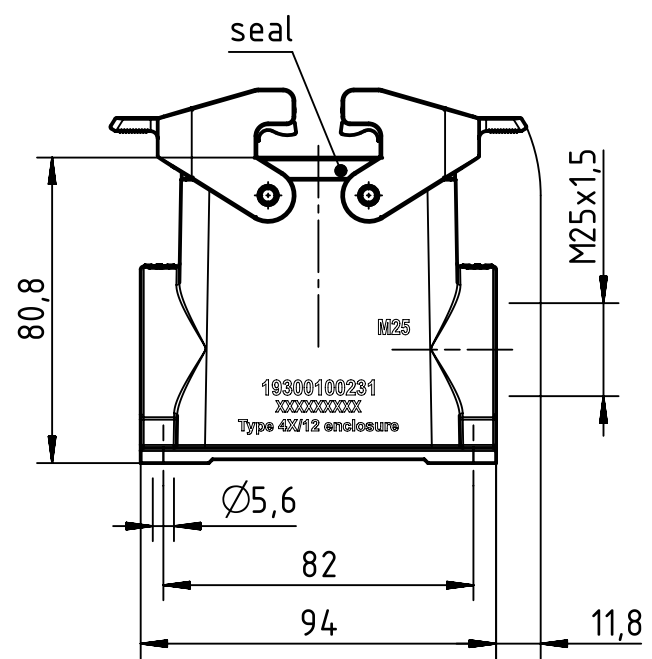
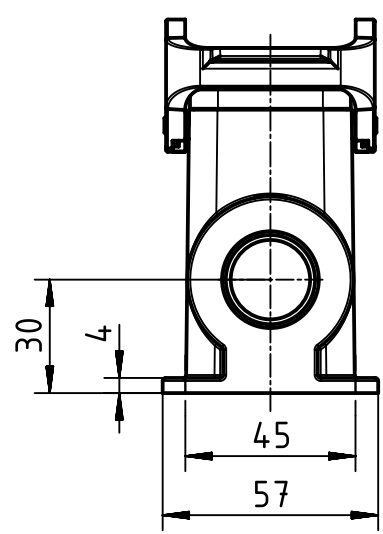
1 2 3 4 5 6

A

B

C

D



	All Dimensions in mm Original Size DIN A4		Scale 1:2	Free size tol.		Ref. Sub. TB 19 30 010 0231 v. 19.02.09		
		All rights reserved Department EL PD		Created by SPRENB	Inspected by GERB	Standardisation GARSKE	Date 2019-12-04	State Final Release
HARTING Electric GmbH & Co. KG D-32339 Espelkamp			Title Han B Base Surface HC 2 Levers 1 x M25			Doc-Key / ECM-Nr. 100209278/UGD/004/C 500000161045		
				Type TB	Number 19 30 010 0231		Rev. C	Page 1/1