

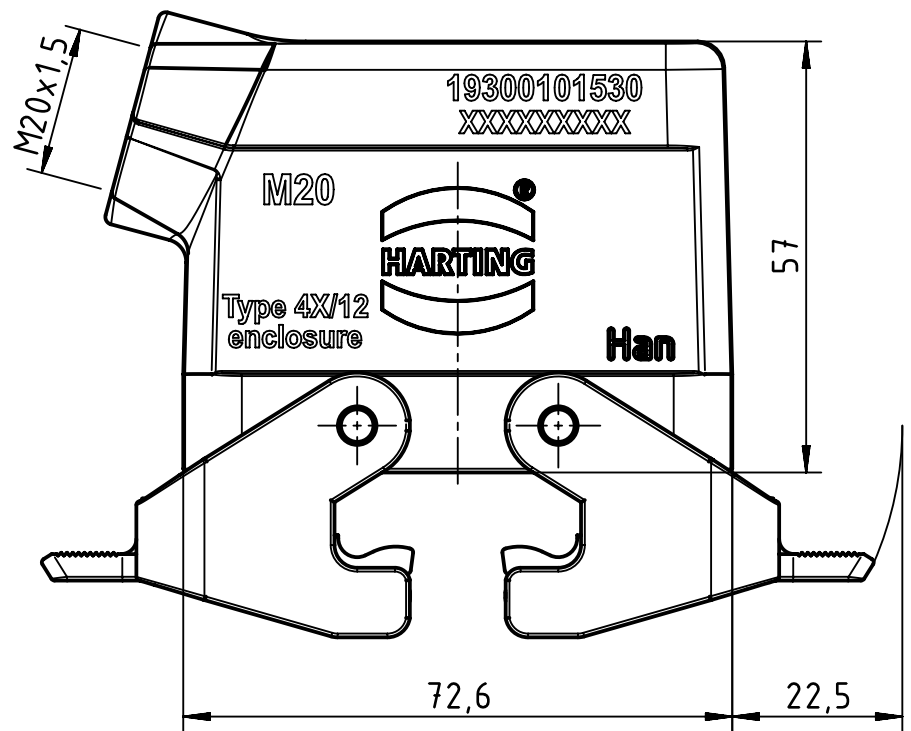
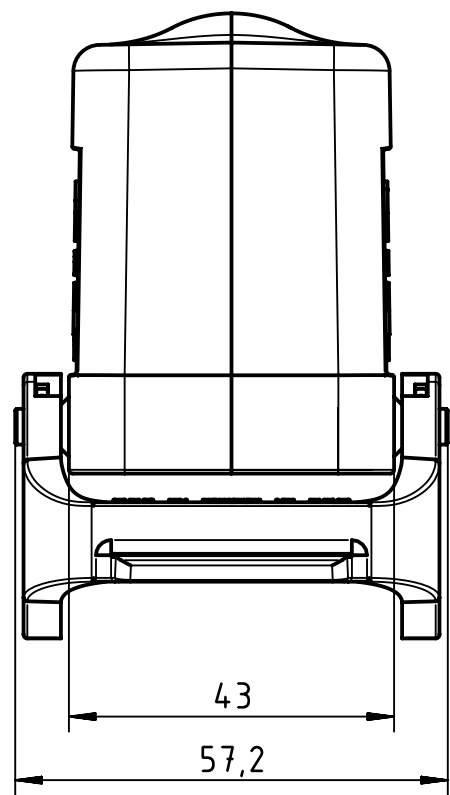
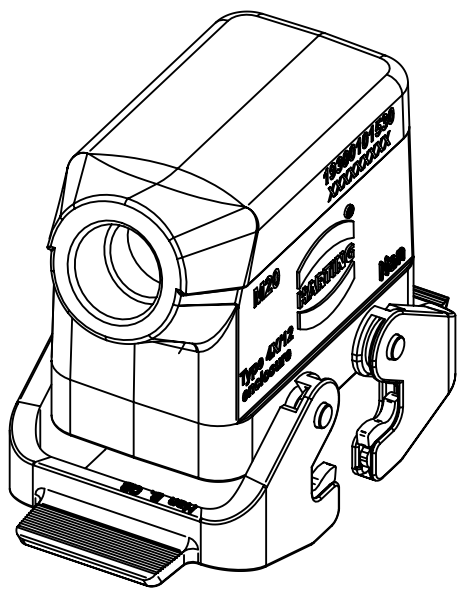
1 2 3 4 5 6


A

B

C

D



	All Dimensions in mm Original Size DIN A4		Scale 1:1	Free size tol.		Ref.	
	All rights reserved Department EL PD		Created by HELLMANN	Inspected by GERB	Standardisation GARSKE	Date 2019-11-29	State Final Release
HARTING Electric GmbH & Co. KG D-32339 Espelkamp		Title Han B Hood Side Entry LC 2 Levers M20				Doc-Key / ECM-Nr. 100200956/UGD/004/D 500000161582	
		Type TB	Number 19 30 010 1530			Rev. D	Page 1/1