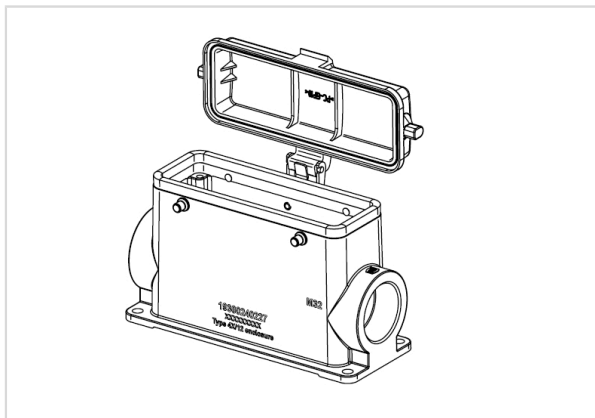



## Product Declaration Certificate



|               |                            |
|---------------|----------------------------|
| Part number   | 19 30 024 0227             |
| Specification | Han 24B-HSM1/CP-for DL-M32 |

|                                      |   |
|--------------------------------------|---|
| RoHS                                 | compliant   |
| ELV status                           | compliant   |
| China RoHS                           |  |
| REACH Annex XVII substances          | Not contained   |
| REACH ANNEX XIV substances           | Not contained   |
| REACH SVHC substances                | Not contained   |
| California Proposition 65 substances | Yes   |
| California Proposition 65 substances | Nickel<br>Naphthalene   |

RoHS: Directive 2011/65/EU with all amending directives and regulations in force at the declaration's creation date.

ELV status: Directive 2000/53/EC with all amending directives and regulations in force at the declaration's creation date.

REACH ANNEX: Regulation (EU) No. 1907/2006 with all amending directives and regulations in force at the declaration's creation date.

REACH SVHC substances: We applied "Candidate List of substances of very high concern for Authorisation" of ECHA valid on the declaration's creation date.

ECHA SCIP: Article notification number in the SCIP Data base of the European Chemicals Agency (ECHA) according to Waste Frame Directive 2008/89/EC with amended directive 2018/851 in Article 9