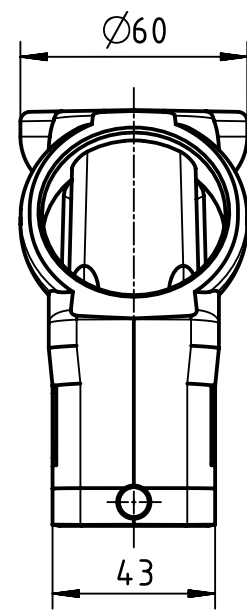
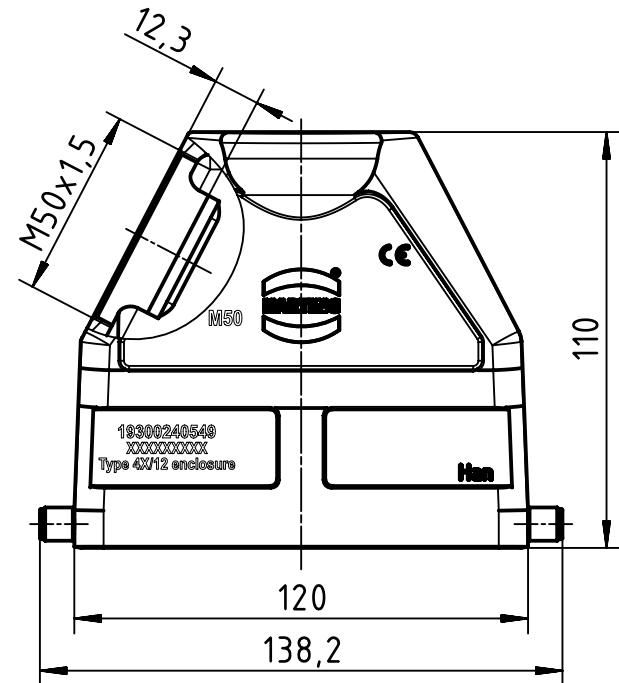
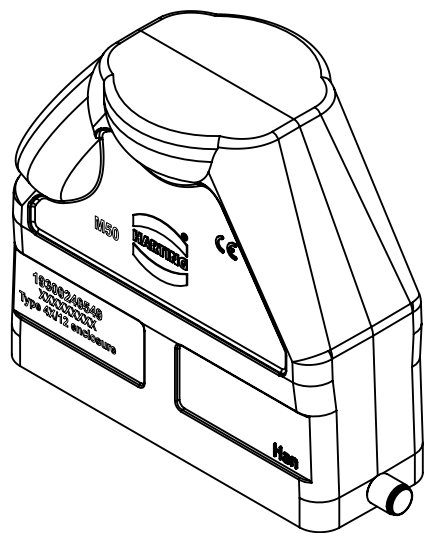


A

B

C

D



	All Dimensions in mm Original Size DIN A4		Scale 1:2	Free size tol.		Ref.		
						Sub.		
	All rights reserved		Created by SPRENB	Inspected by GERB	Standardisation RUETERA	Date 2020-07-15	State Final Release	
	Department EL PD		Title Han 24B side entry hood HC reel M50				Doc-Key / ECM-Nr. 100186683/UGD/005/C 500000161737	
HARTING Electric GmbH & Co. KG D-32339 Espelkamp			Type TB	Number 19 30 024 0549			Rev. C	Page 1/1