

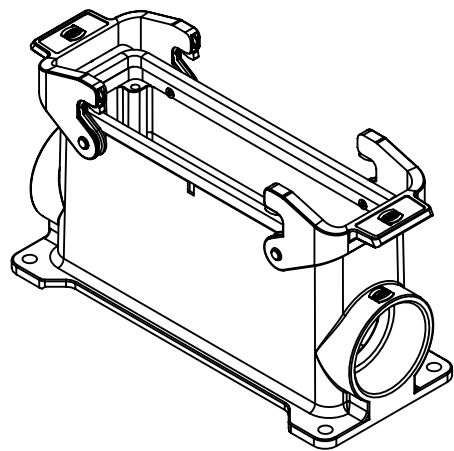
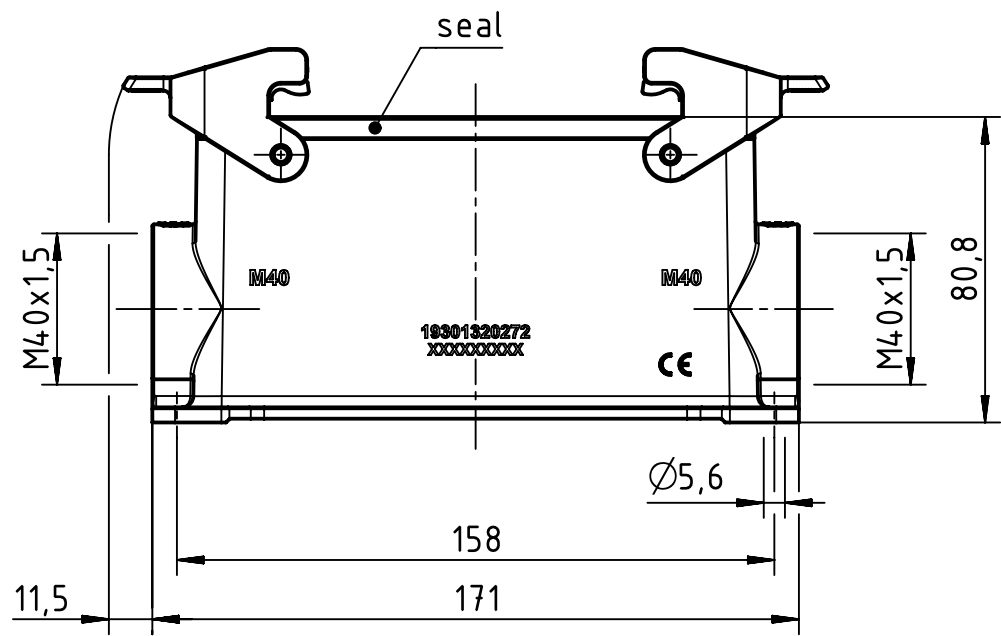
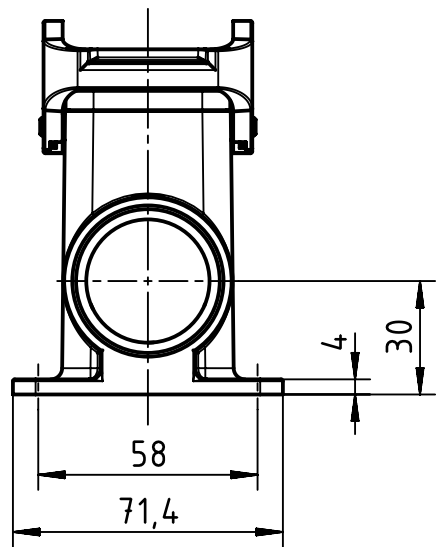
1 2 3 4 5 6


A

B

C

D



	All Dimensions in mm Original Size DIN A4		Scale 1:2	Free size tol.		Ref.	
	All rights reserved Department EL PD		Created by HUK	Inspected by WANGSTE	Standardisation TIEMANNA	Date 2020-10-13	State Final Release
HARTING Electric GmbH & Co. KG D-32339 Espelkamp			Title Han L32 B HSM2 DL M40			Doc-Key / ECM-Nr. 100848522/UGD/001/A 500000179734	
			Type TB	Number 19 30 132 0272		Rev. A	Page 1/1