

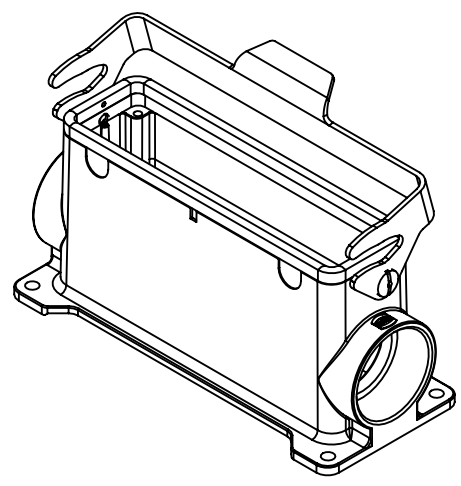
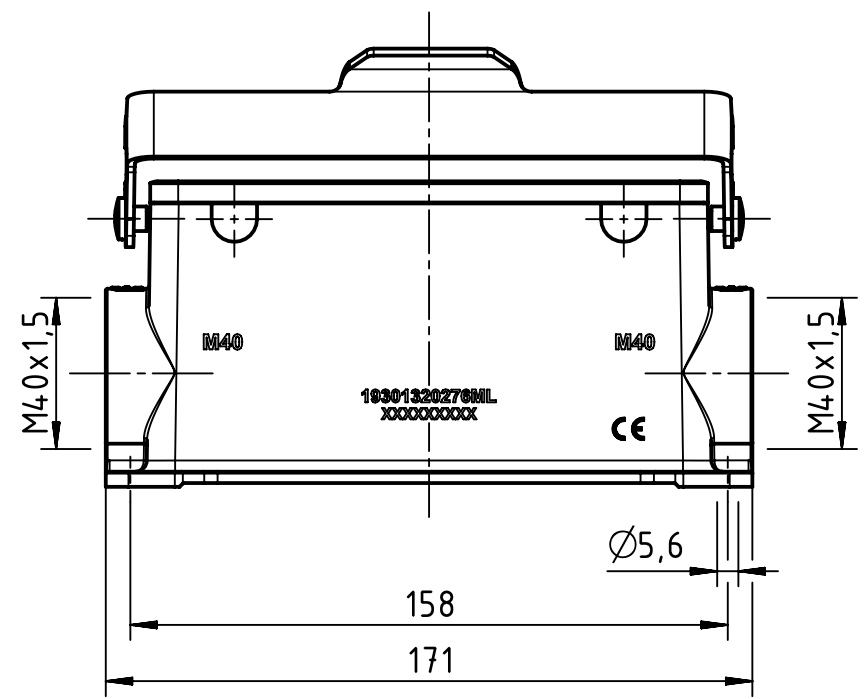
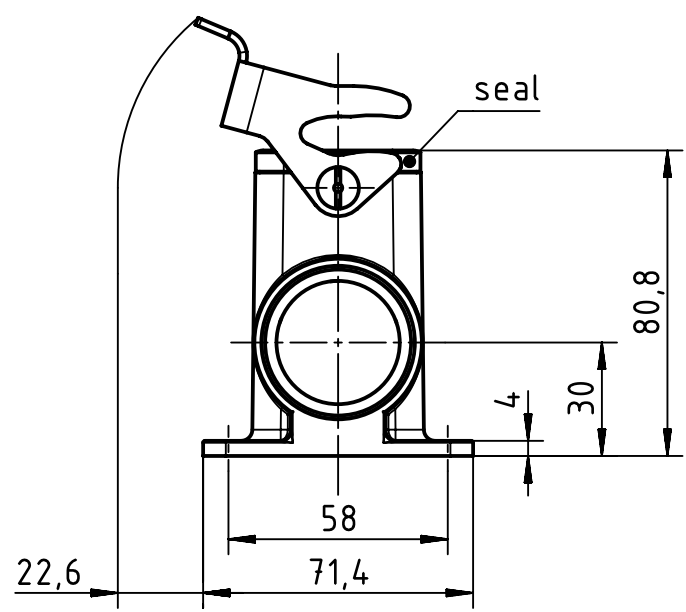
1 2 3 4 5 6

A

B

C

D



	All rights reserved Department EL PD HARTING Electric GmbH & Co. KG D-32339 Espelkamp	All Dimensions in mm Original Size DIN A4		Scale 1:2	Free size tol.	Ref. Sub.	
		Created by HUK	Inspected by WANGSTE	Standardisation TIEMANNA	Date 2020-10-13	State Final Release	Doc-Key / ECM-Nr. 100854121/UGD/001/A 500000179734
Title Han L32 B HSM2 SL M40						Rev. A	Page 1/1
Type TB		Number 19 30 132 0276ML					