

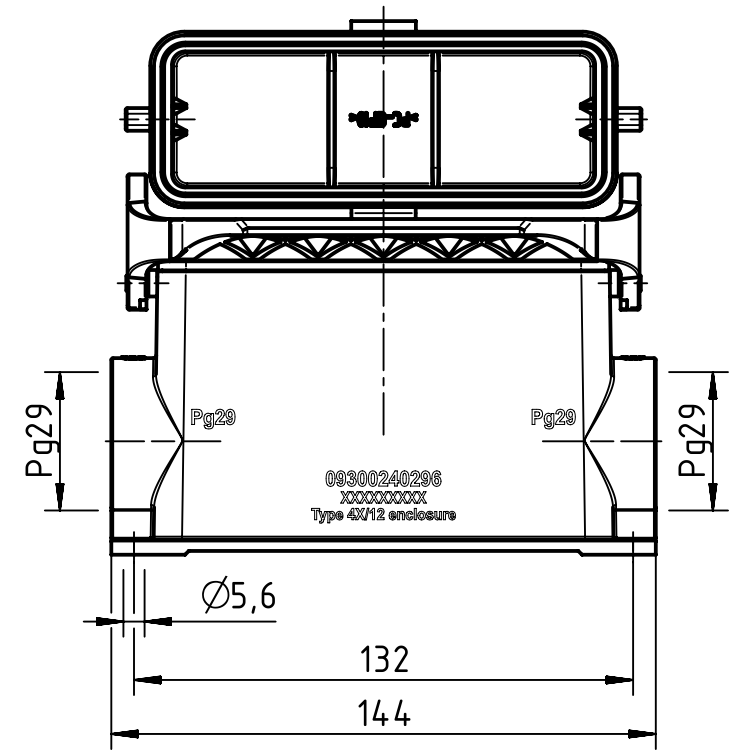
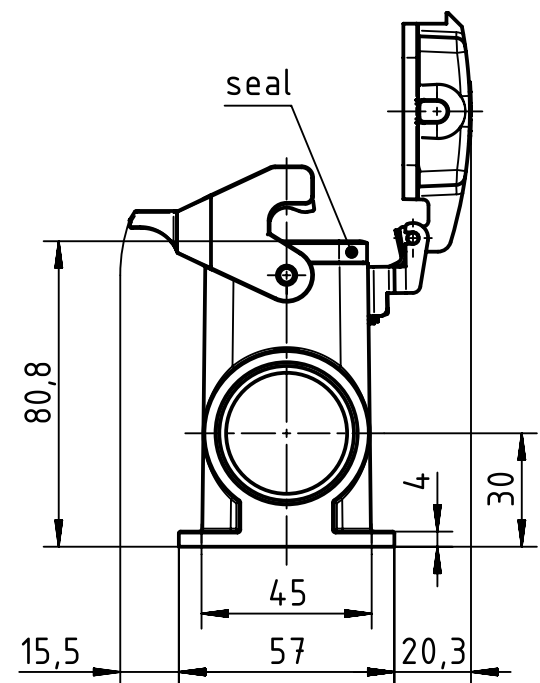
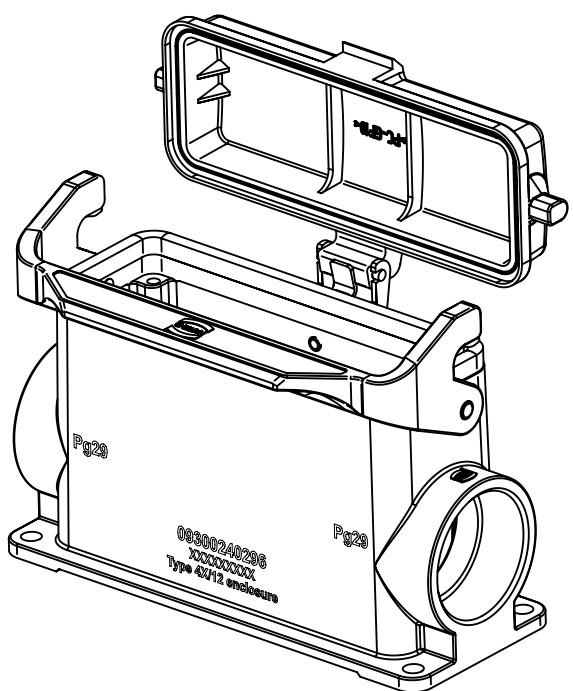
1 2 3 4 5 6

A

B

C

D



	All Dimensions in mm Original Size DIN A4		Scale 1:2	Free size tol.		Ref.
			Created by FINKEV	Inspected by GERB	Standardisation GARSKE	Sub.
All rights reserved Department EL PD		Title Han B Base SM HC plastic cover Pg29			Date 2020-03-30	State Final Release
HARTING Electric GmbH & Co. KG D-32339 Espelkamp		Type TB			Number 09 30 024 0296	
					Doc-Key / ECM-Nr. 100205723/UGD/004/B 500000166177	Rev. B
					Page 1/1	