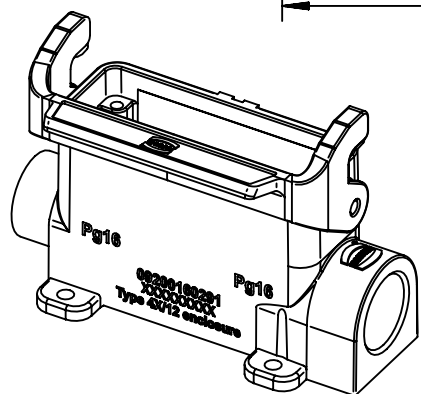
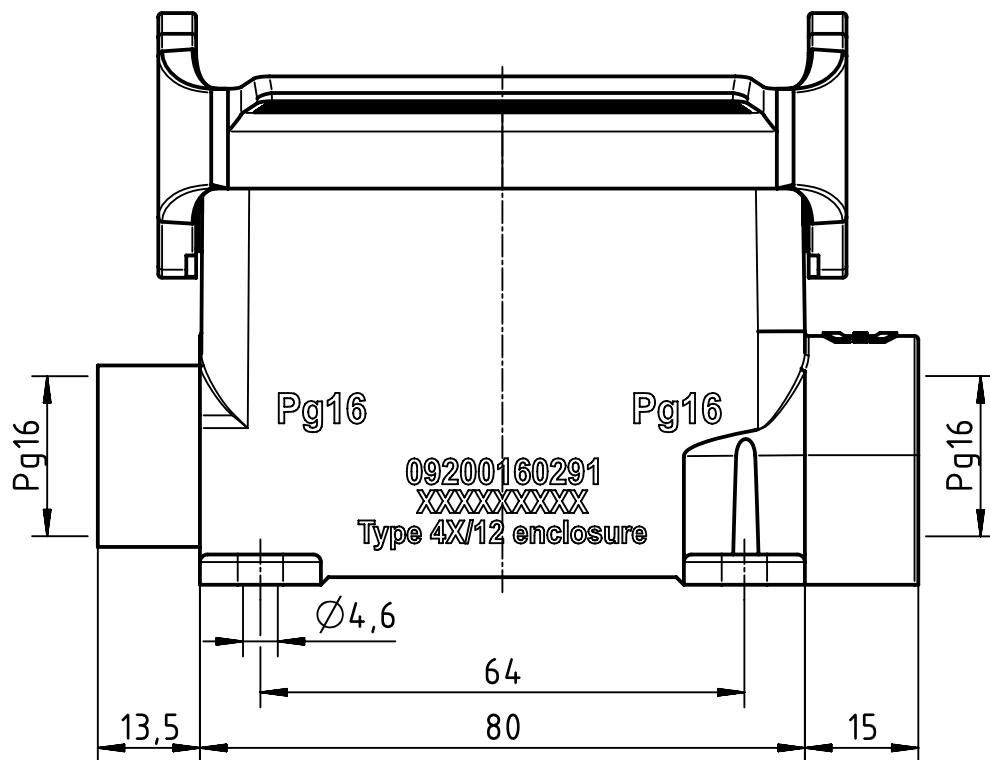
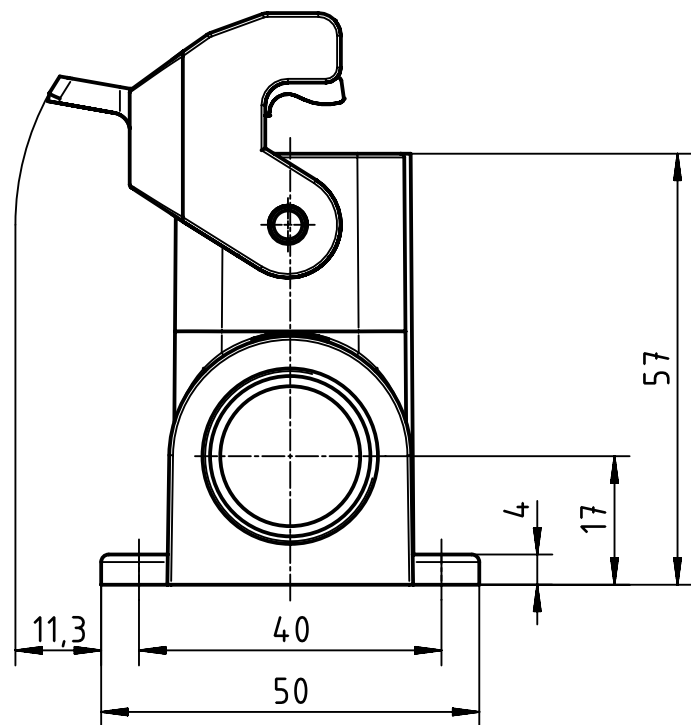



A

B

C

D



	All Dimensions in mm Original Size DIN A4		Scale 1:1	Free size tol.		Ref.	
	All rights reserved Department EL PD		Created by HELLMANN	Inspected by GERB	Standardisation GARSKE	Date 2019-12-04	State Final Release
HARTING Electric GmbH & Co. KG D-32339 Espelkamp			Title Han 16 A-asg2-LB-16			Doc-Key / ECM-Nr. 100186502/UGD/004/C 500000160754	
			Type TB	Number 09 20 016 0291		Rev. C	Page 1/1