

1 2 3 4 5 6

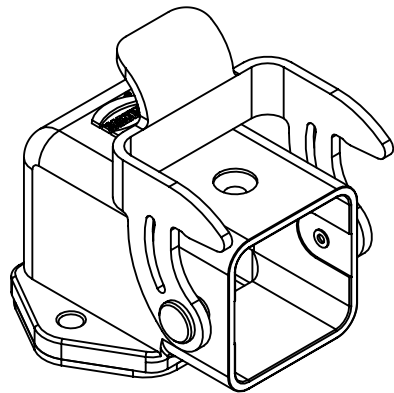
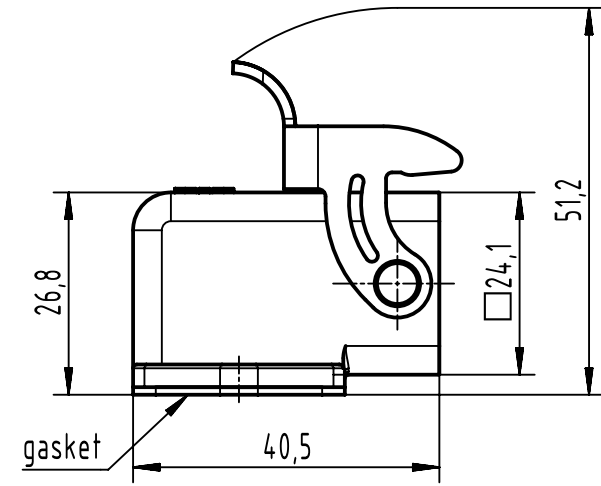
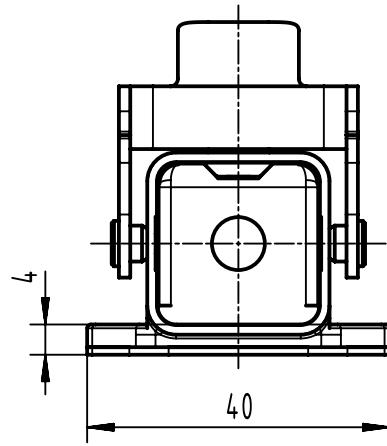
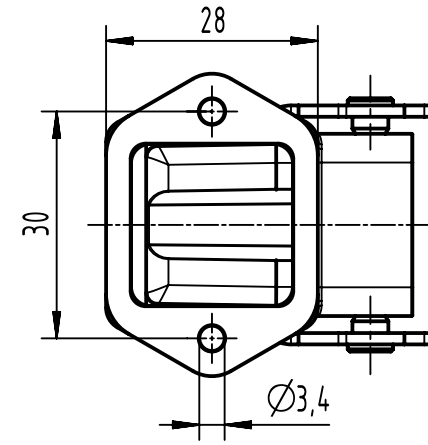
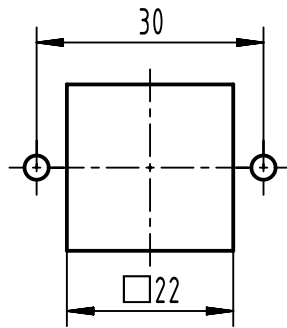
A


B

C

D

panel cut out



	All Dimensions in mm Original Size DIN A4		Scale 1:1		Free size tol.		Ref. Sub. TB 09 20 003 0801 v. 09.02.08			
	All rights reserved Department EL PD		Created by HOLLERT		Inspected by RIEPE		Standardisation			
HARTING D-32339 Espelkamp		Title Han 3A-HBMA-SL-blue					Date 2021-07-19		State Final Release	
		Type TB					Number 09 20 003 0805		Doc-Key / ECM-Nr. 100964871/UGD/002/A 500000199501	
							Rev. A		Page 1/1	