

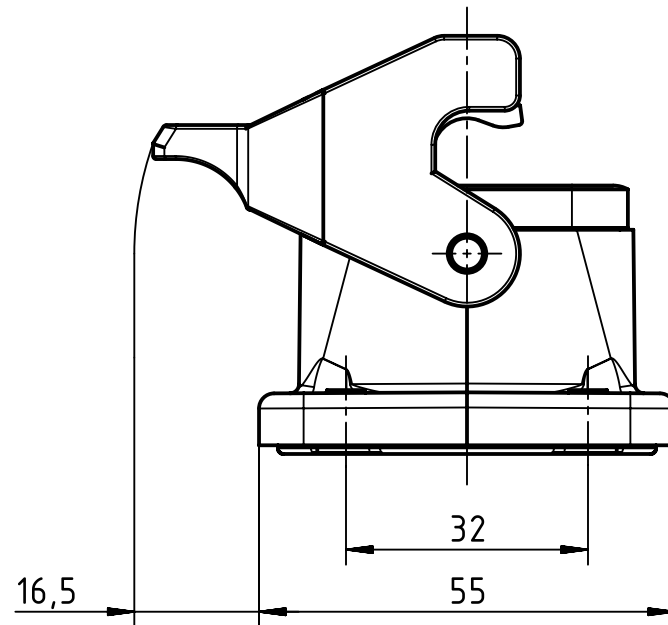
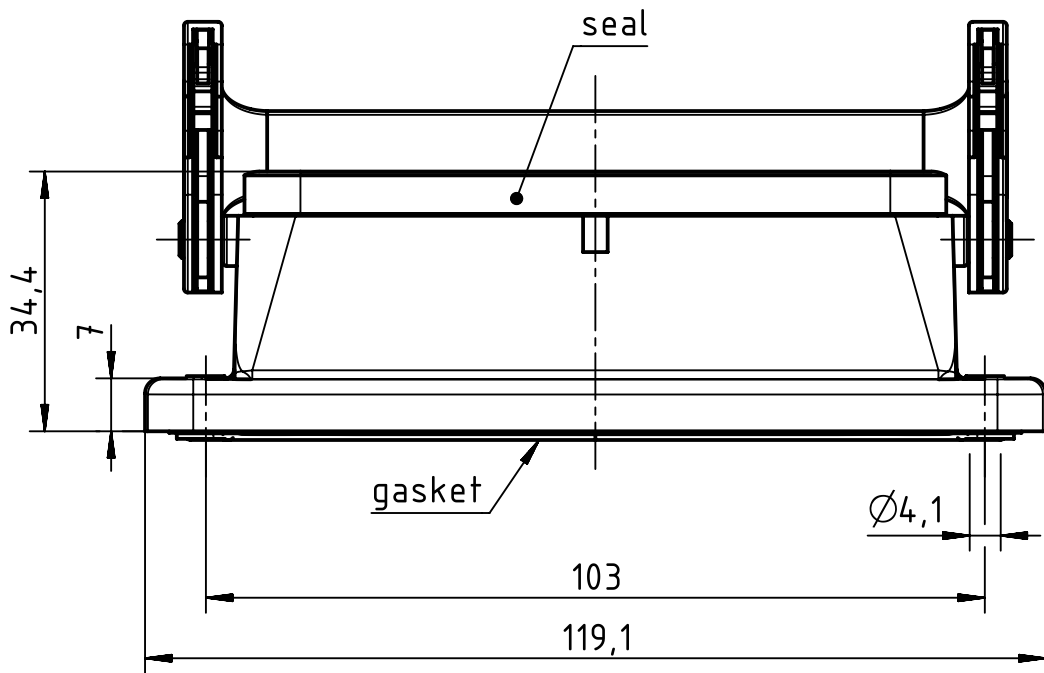
1 2 3 4 5 6

A

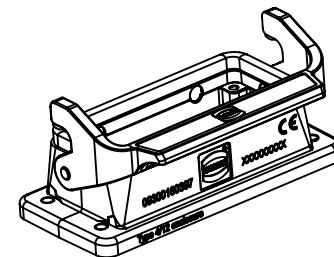
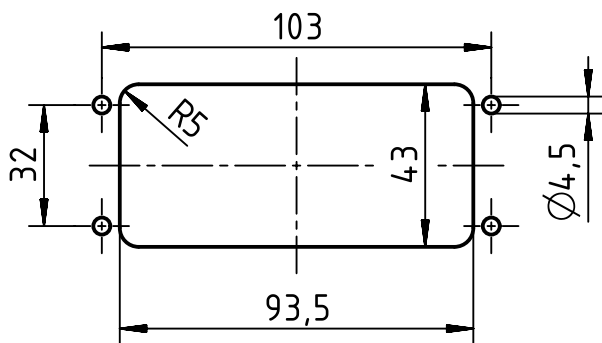
B


C

D



panel cut out (1:2)



	All Dimensions in mm Original Size DIN A4		Scale 1:1	Free size tol.		Ref.
	All rights reserved Department EL PD		Created by WENE	Inspected by LUOK	Standardisation RUETERA	Sub.
HARTING Electric GmbH & Co. KG D-32339 Espelkamp		Title Han 16B HBM Rear-Fit SL			Date 2020-05-22	State Final Release
					Doc-Key / ECM-Nr. 100825378/UGD/001/C 500000173246	Rev. C
			Type TB	Number 09 30 016 0397		Page 1/1