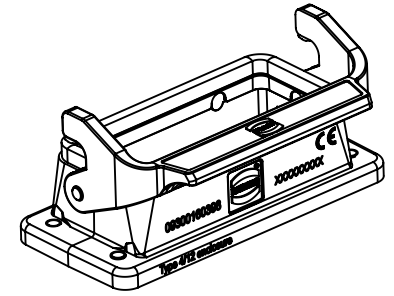
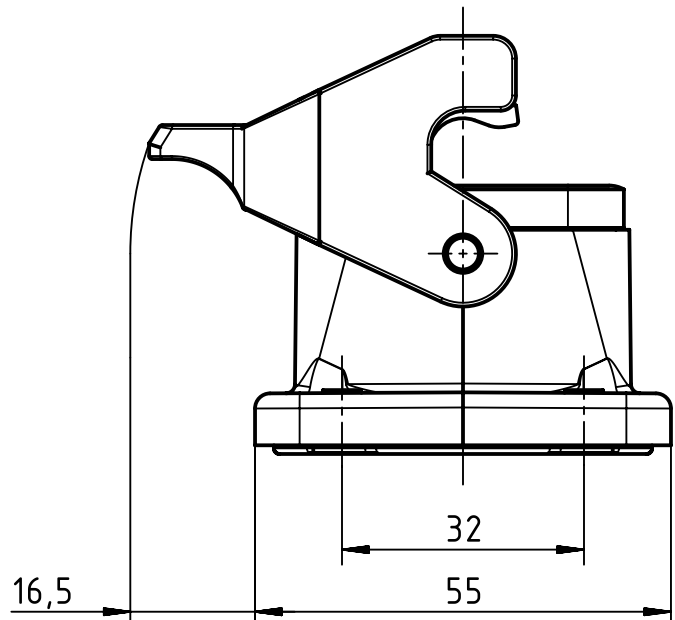
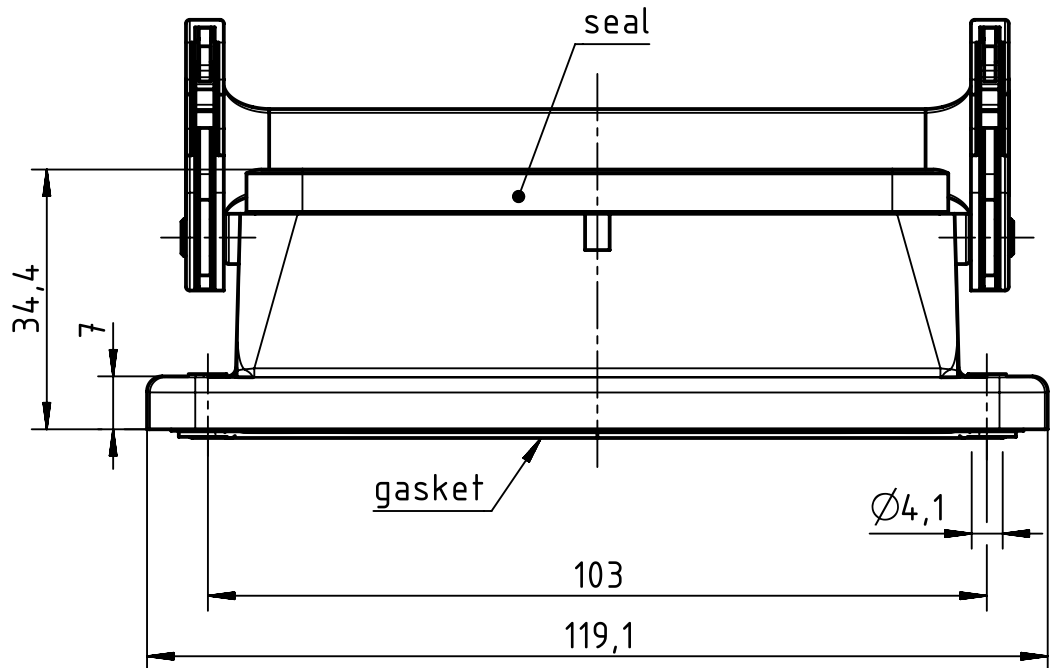
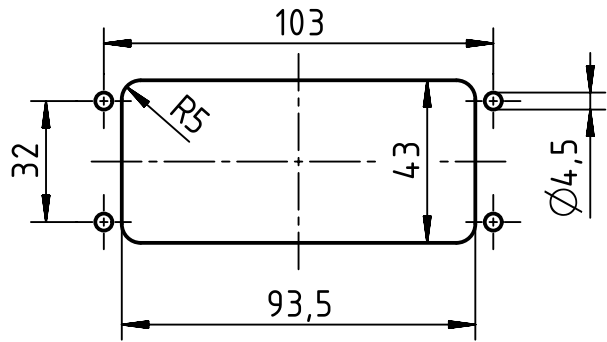



1 2 3 4 5 6

A  
B  
C  
D



panel cut out (1:2)



	All rights reserved		Created by WENE		Inspected by LUOK		Standardisation RUETERA		Date 2020-05-22		State Final Release	
	Department EL PD		Title Han 16B HBM-Rear Fit-SL-w/o frame		Number 09 30 016 0398		Doc-Key / ECM-Nr. 100846185/UGD/001/C 500000173246		Rev. C		Page 1/1	
HARTING Electric GmbH & Co. KG D-32339 Espelkamp			Scale 1:1		Free size tol.		Ref.		Sub.			