

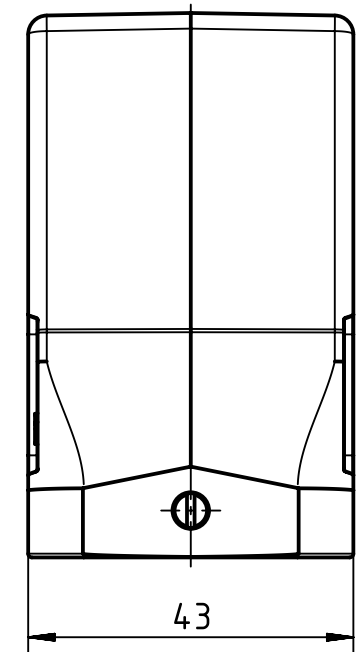
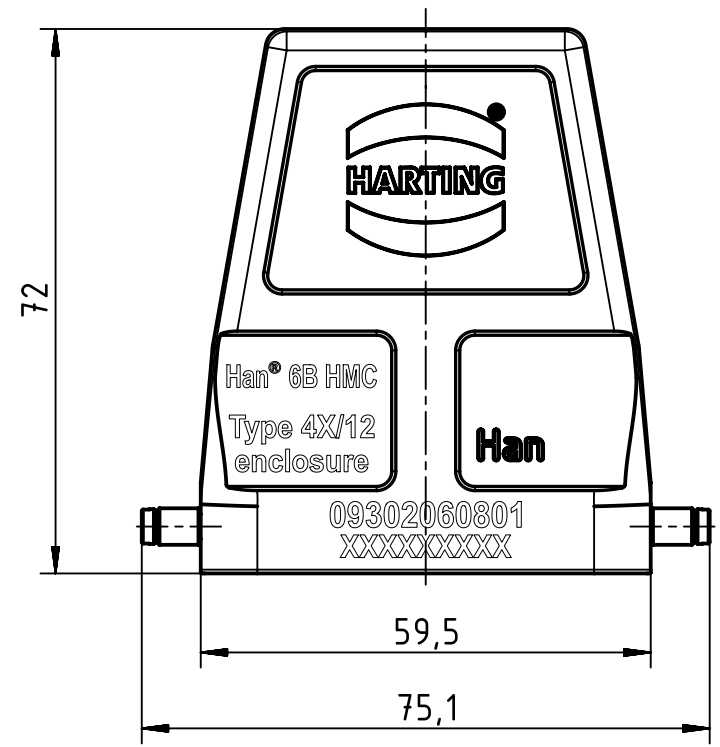
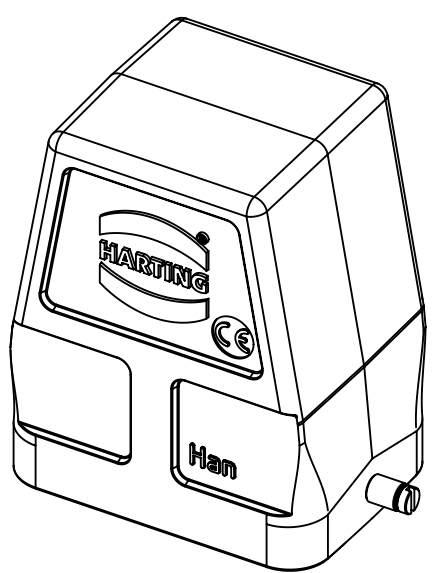
1 2 3 4 5 6

A

B

C

D



	All Dimensions in mm Original Size DIN A4		Scale 1:1	Free size tol.		Ref.		
						Sub.		
	All rights reserved		Created by SPRENB	Inspected by SUNDERMEIER	Standardisation TIEMANNA	Date 2020-01-30	State Final Release	
	Department EL PD		Title Han 6B-HMC-Hood-Reel				Doc-Key / ECM-Nr. 100705939/UGD/006/D 500000165903	
HARTING Electric GmbH & Co. KG D-32339 Espelkamp			Type TB	Number 09 30 206 0801			Rev. D	Page 1/1