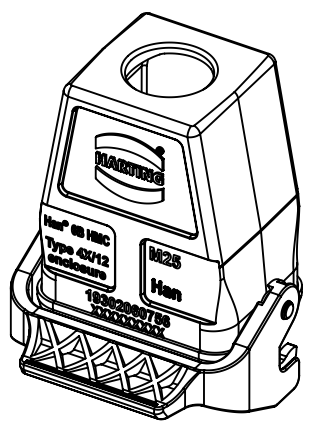
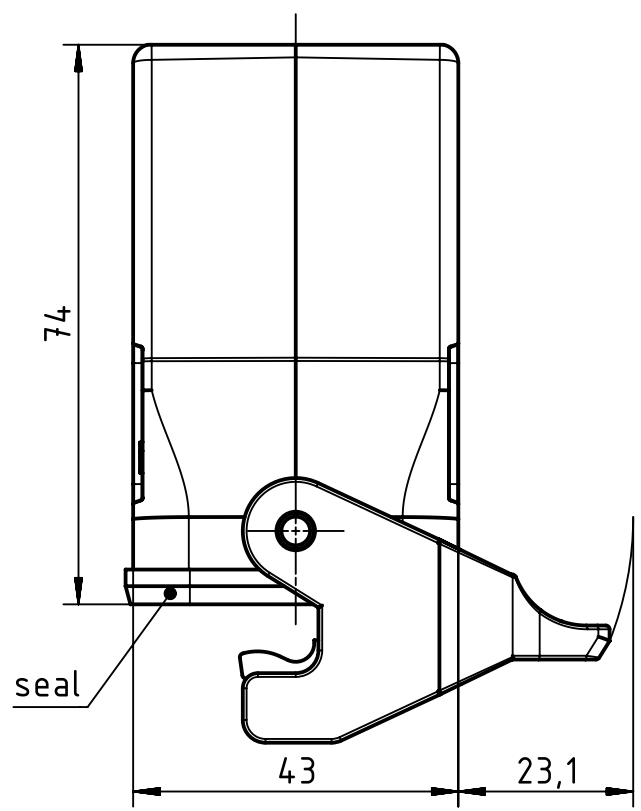
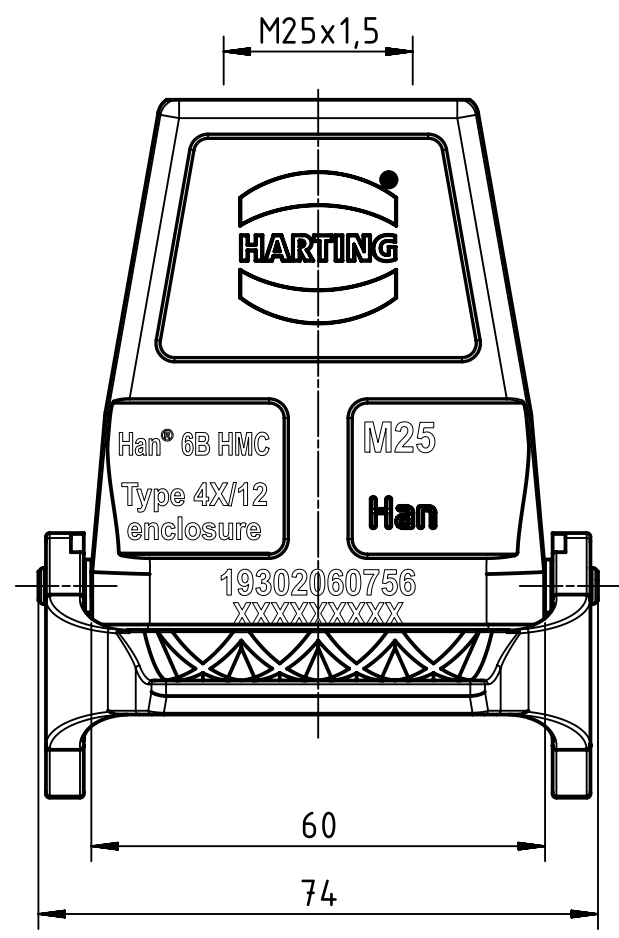


1 2 3 4 5 6

A
B
C
D



	All Dimensions in mm Original Size DIN A4		Scale 1:1	Free size tol.		Ref.		
						Sub.		
	All rights reserved		Created by SPREENB	Inspected by SUNDERMEIER	Standardisation TIEMANNA	Date 2020-01-30	State Final Release	
	Department EL PD		Title Han 6B-HMC-HCC-SL-M25				Doc-Key / ECM-Nr. 100705986/UGD/007/C 500000165903	
HARTING Electric GmbH & Co. KG D-32339 Espelkamp			Type TB	Number 19 30 206 0756			Rev. C	Page 1/1