

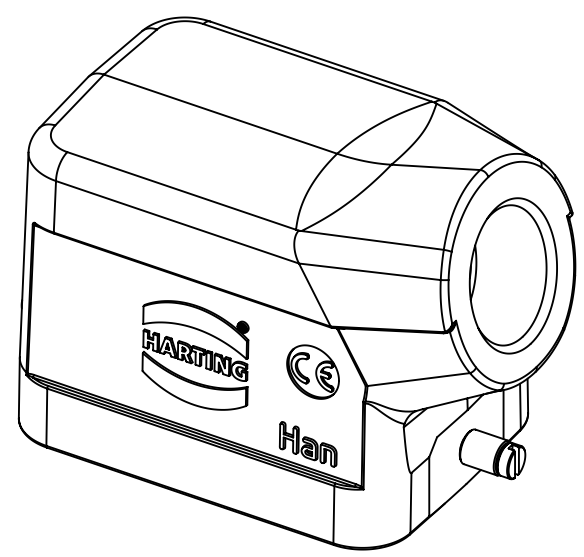
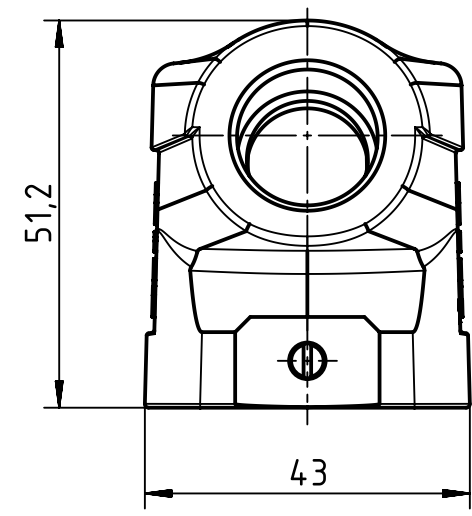
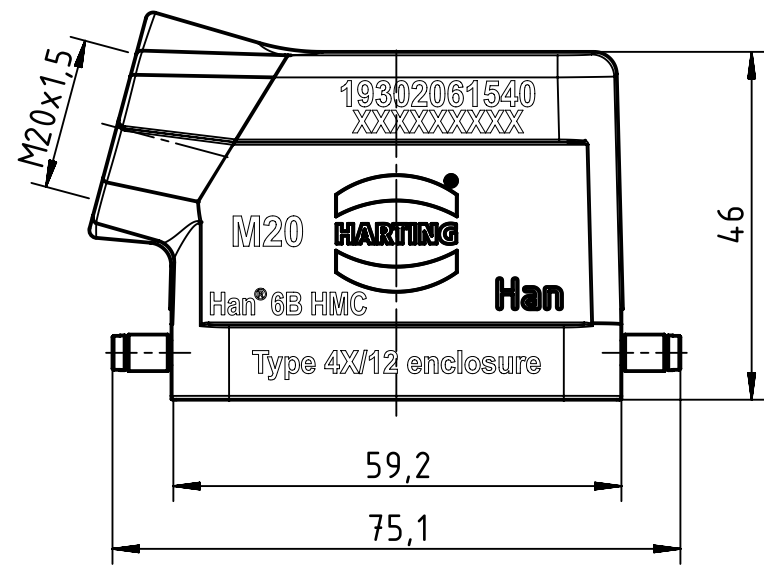
1 2 3 4 5 6

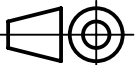

A

B

C

D



 All Dimensions in mm Original Size DIN A4	Scale	Free size tol.			Ref.
	1:1				Sub.
 All rights reserved Department EL PD	Created by	Inspected by	Standardisation	Date	State
	SPRENB	SUNDERMEIER	TIEMANNA	2020-01-30	Final Release
HARTING Electric GmbH & Co. KG D-32339 Espelkamp	Title				Doc-Key / ECM-Nr.
	Han 6B-HMC-HSE-R-M20				100705710/UGD/007/D 500000165903
Type		Number			Rev.
TB		19 30 206 1540			D
					Page
					1/1