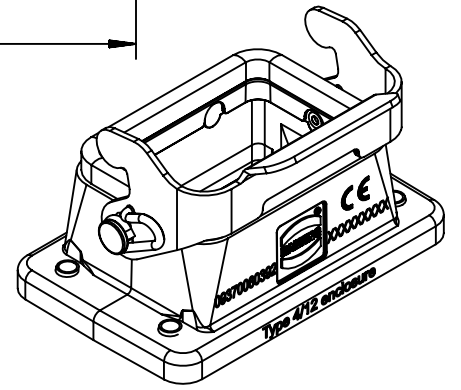
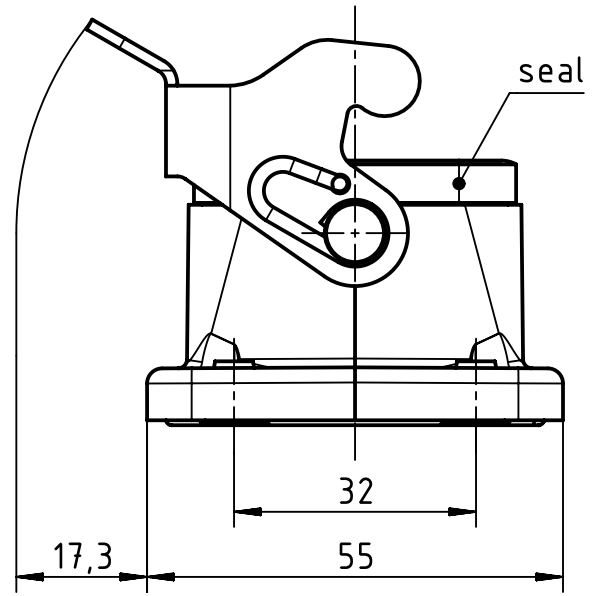
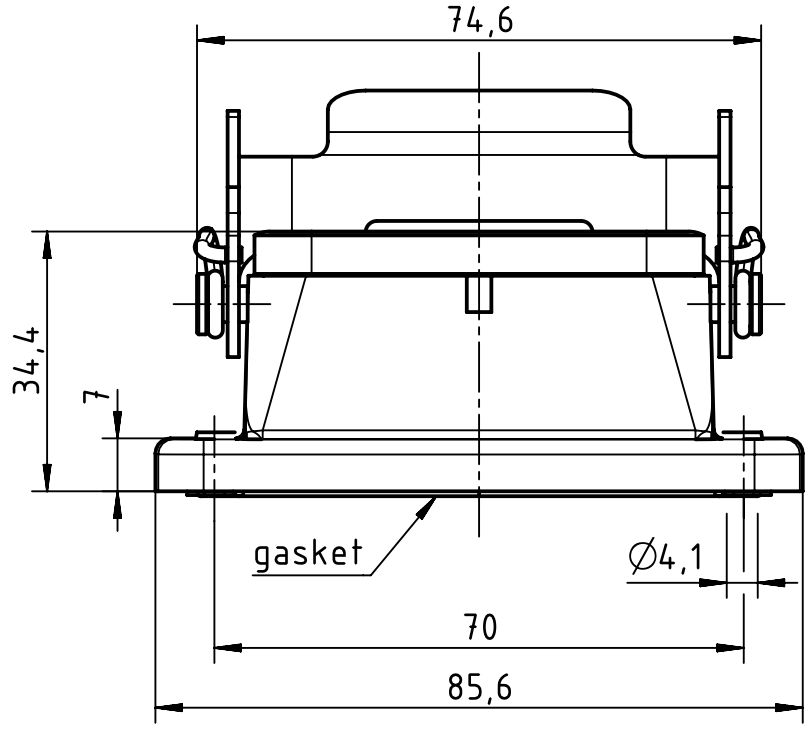
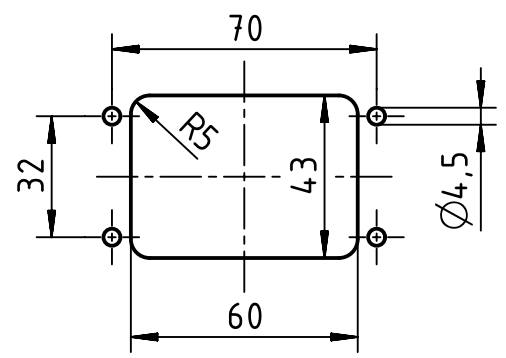



1 2 3 4 5 6

A
B
C
D



panel cut out (1:2)



	All rights reserved		Scale 1:1		Free size tol.		Ref.		
	Department EL PD		Created by WENE	Inspected by LUOK	Standardisation RUETERA	Date 2020-07-15	State Final Release		
HARTING Electric GmbH & Co. KG D-32339 Espelkamp			Title Han 6M HBM-Rear Fit-SL-w/o frame				Doc-Key / ECM-Nr. 100876531/UGD/002/A 500000164781		
			Type TB	Number 09 37 006 0392			Rev. A	Page 1/1	