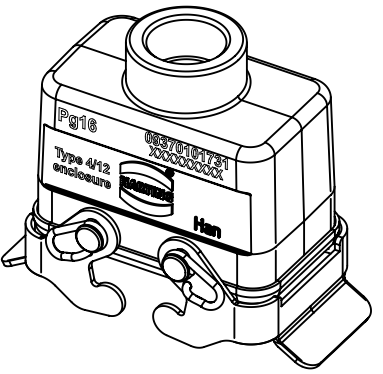


Pg16  
 09370101731  
 XXXXXXXXX  
 Type 4/12 enclosure  
**HARTING**  
 Han

21,8      72,6

13,5  
 47,4

43  
 57



	All Dimensions in mm Original Size DIN A4		Scale 1:1	Free size tol.		Ref.
						Sub.
	All rights reserved		Created by HELLMANN	Inspected by GERB	Standardisation RUETERA	Date 2019-12-02
	Department EL PD					State Final Release
HARTING Electric GmbH & Co. KG D-32339 Espelkamp			Title Han M Hood Coupler LC 2 Lever PG 16			Doc-Key / ECM-Nr. 100192252/UGD/004/E 500000161508
			Type TB	Number 09 37 010 1731		Rev. E
						Page 1/1