

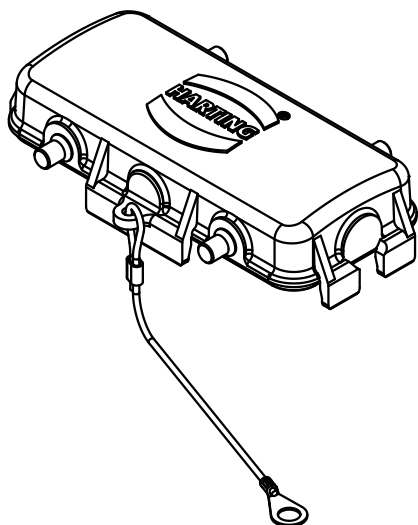
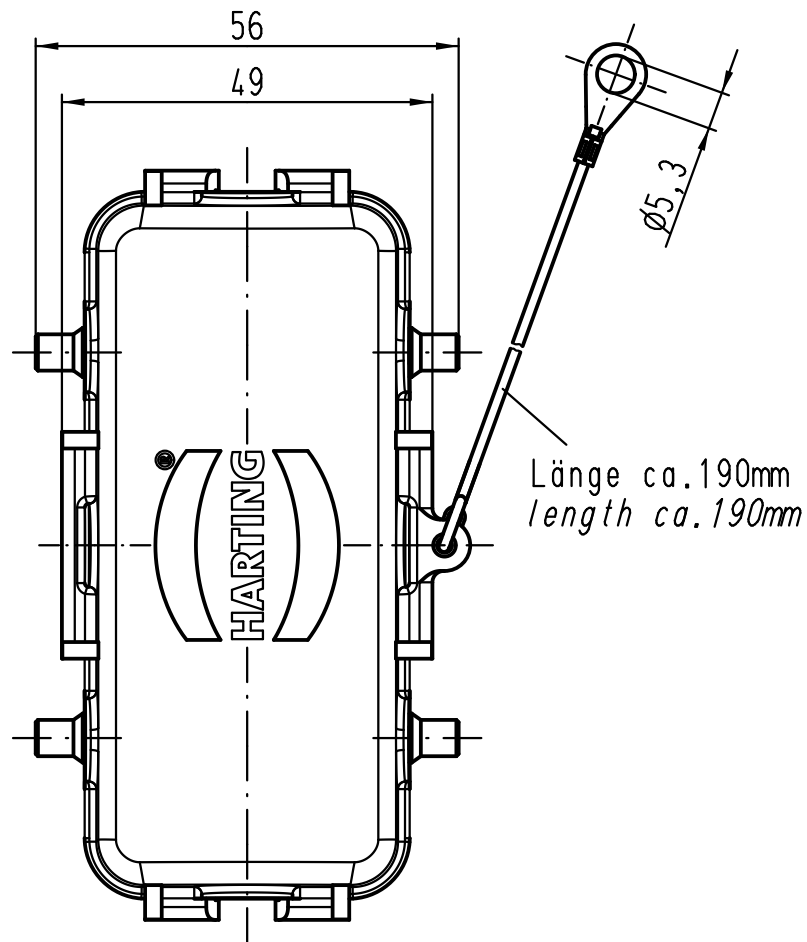
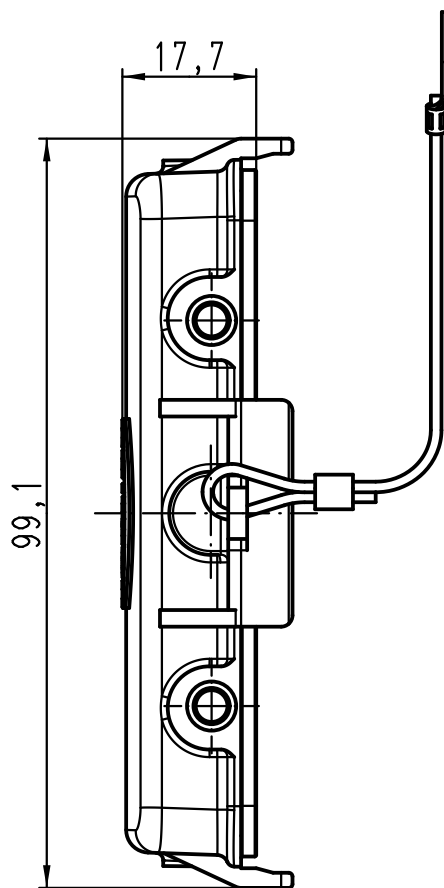
1 2 3 4 5 6

A

B

C

D



| | | | | | | |
|---|----------|-------------------|--------------------------------|--------------|---|---|
| All Dimensions in mm Original Size DIN A 4 | | Techn. Character. | | | Nicht tolerierte Maß/Free size tolerances | |
| | | | Dat. | Name | Maßstab/Scale 1:1 | Han 16M-AK / Han 16M-C Metallabdeckkappe metal cover |
| | | | Detail. | 01.12.08 Bor | | |
| | | | Insp. | Sch | | |
| | | | Stand. | | | |
| B | 28.03.12 | Ho | HARTING Electric GmbH & Co. KG | | | TB 09 37 016 5405 |
| A | | | D-32339 Espelkamp | | | |
| Mod. | Dat. | Name | | | | Sub. TB 09 37 016 5405 v. 26.11.04 |
| | | | | | | Blatt/page |