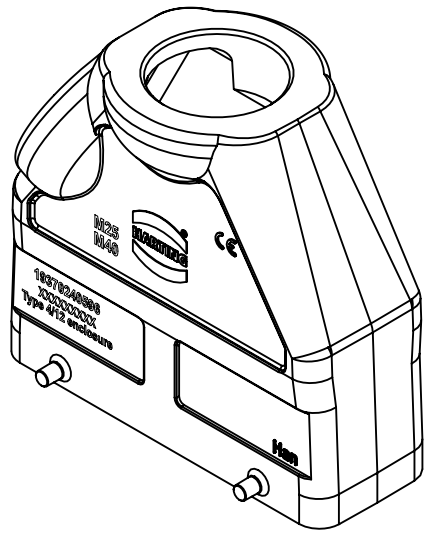
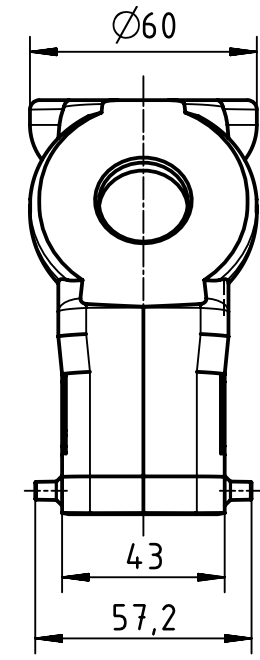
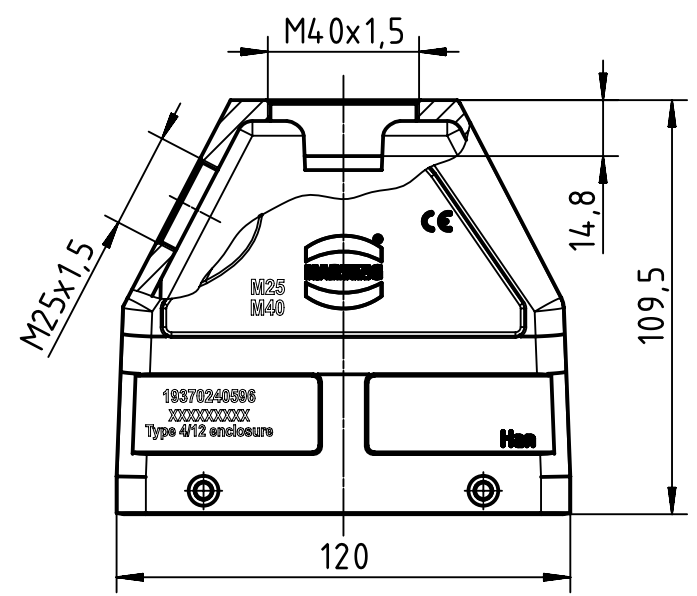


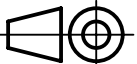

A

B

C

D



 All Dimensions in mm Original Size DIN A4	Scale	Free size tol.		Ref.	
	1:2			Sub.	
 All rights reserved Department EL PD	Created by	Inspected by	Standardisation	Date	State
	SPRENB	GERB	RUETERA	2020-07-15	Final Release
HARTING Electric GmbH & Co. KG D-32339 Espelkamp	Title			Doc-Key / ECM-Nr.	
	Han 24M-HTE-M40/HSE-M25			100598789/UGD/001/E 500000161737	
Type		Number		Rev.	Page
TB		19 37 024 0596		E	1/1