

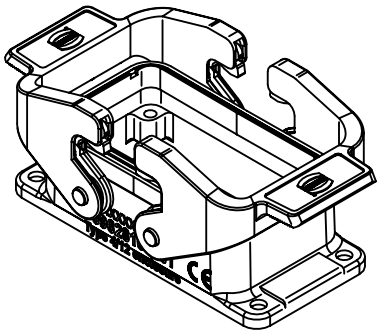
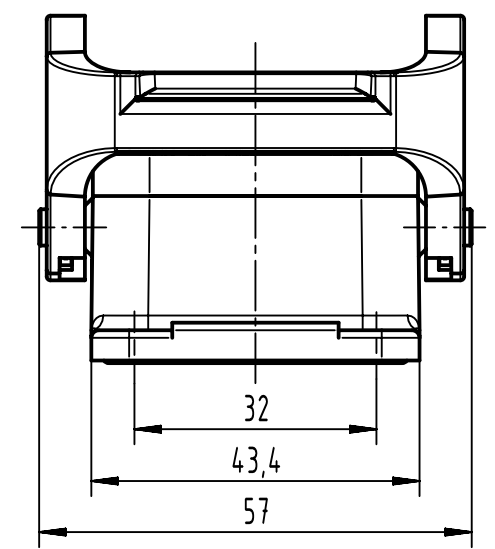
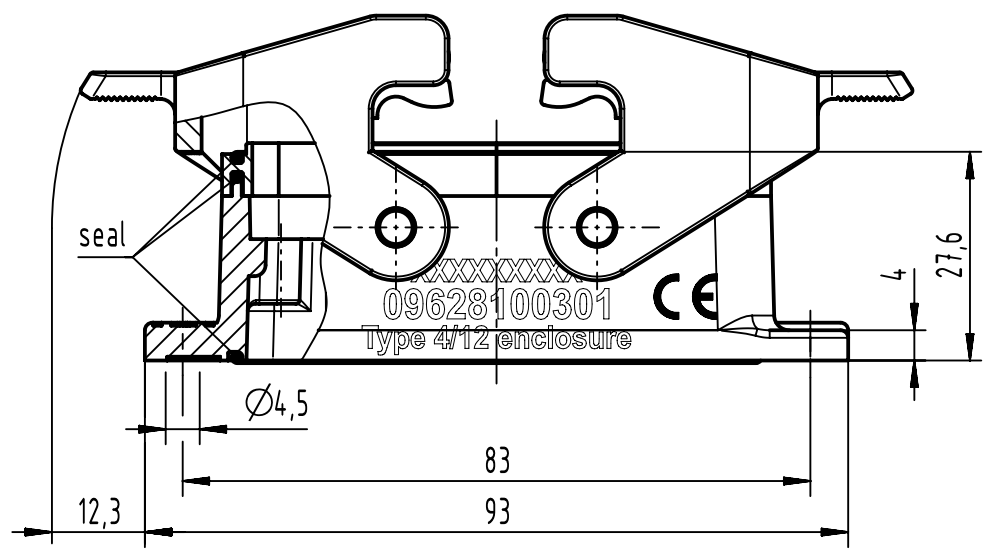
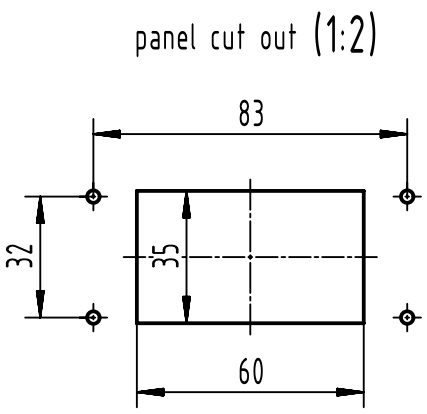
1 2 3 4 5 6

A

B

C

D



	All rights reserved Department EL PD HARTING Electric GmbH & Co. KG D-32339 Espelkamp	All Dimensions in mm Original Size DIN A4		Scale 1:1	Free size tol.	Ref. Sub.
		Created by HOLLERT	Inspected by GERB	Standardisation 302077	Date 2020-11-13	State Final Release
Title Han EMC/B 10 Base Panel					Doc-Key / ECM-Nr. 100181465/UGD/004/C 500000179459	
Type TB		Number 09 62 810 0301			Rev. C	Page 1/1