

1 2 3 4 5 6

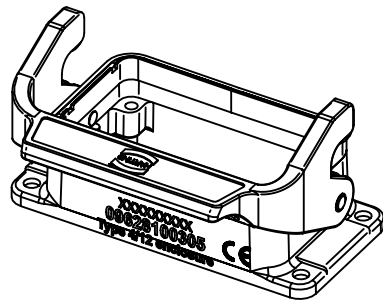
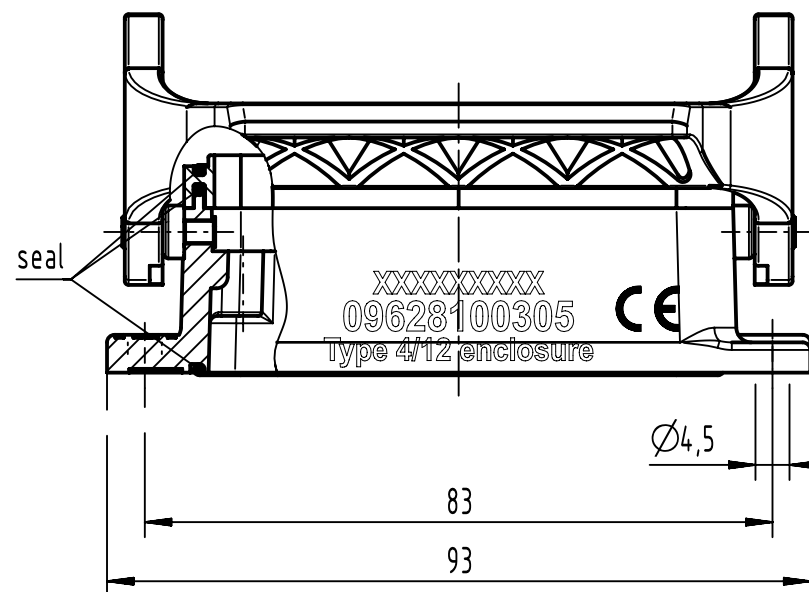
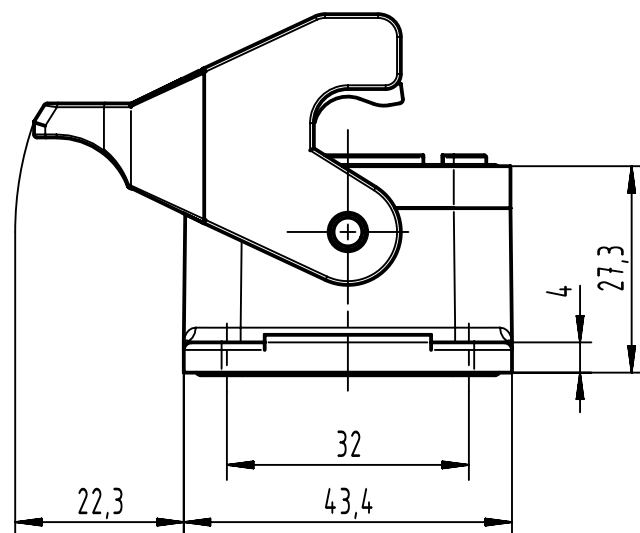
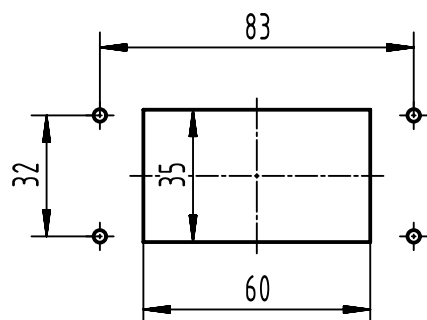
A

B

C

D

panel cut out (1:2)



	All Dimensions in mm Original Size DIN A4		Scale 1:1	Free size tol.		Ref.		
						Sub.		
	All rights reserved		Created by HOLLERT	Inspected by GERB	Standardisation 302077	Date 2020-11-13	State Final Release	
	Department EL PD		Title Han EMC/B 10 Base Panel				Doc-Key / ECM-Nr. 100181462/UGD/005/C 500000179459	
HARTING Electric GmbH & Co. KG D-32339 Espelkamp			Type TB	Number 09 62 810 0305			Rev. C	Page 1/1