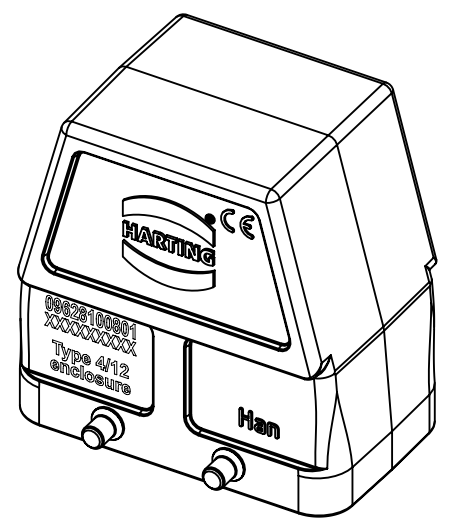
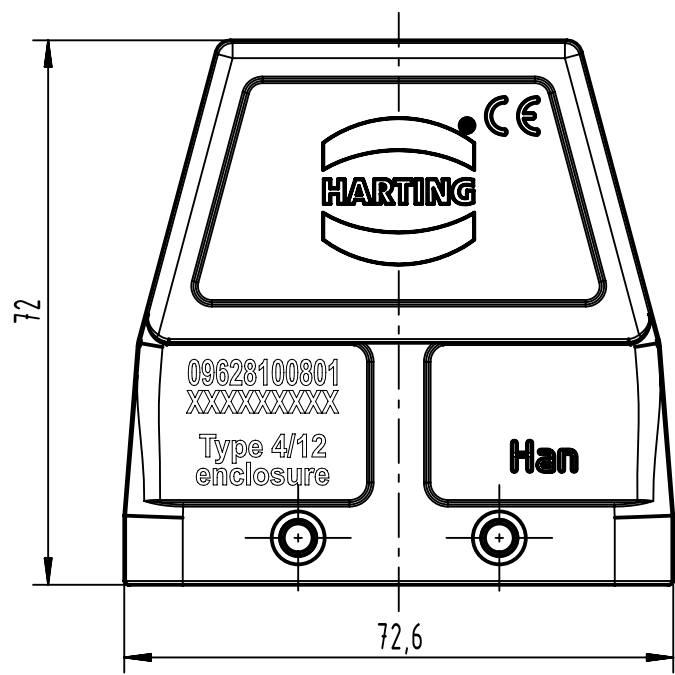
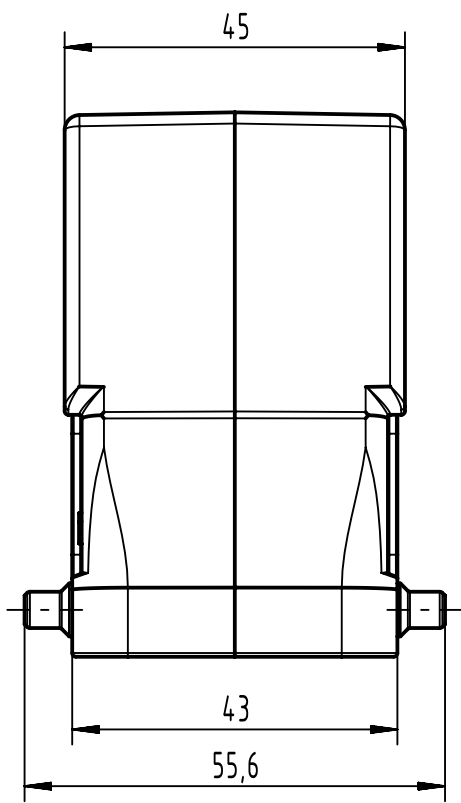


A

B

C

D



	All Dimensions in mm Original Size DIN A4		Scale 1:1	Free size tol.		Ref. Sub. TB 09 62 810 0801 v. 01.02.00		
		All rights reserved Department EL PD		Created by MEYERLE	Inspected by GERB	Standardisation	Date 2021-10-18	State Final Release
HARTING D-32339 Espelkamp		Title Han 10 EMC/B-G			Doc-Key / ECM-Nr. 100227573/UGD/002/E 500000203864		Rev. E	Page 1/1
				Type TB	Number 09 62 810 0801			