

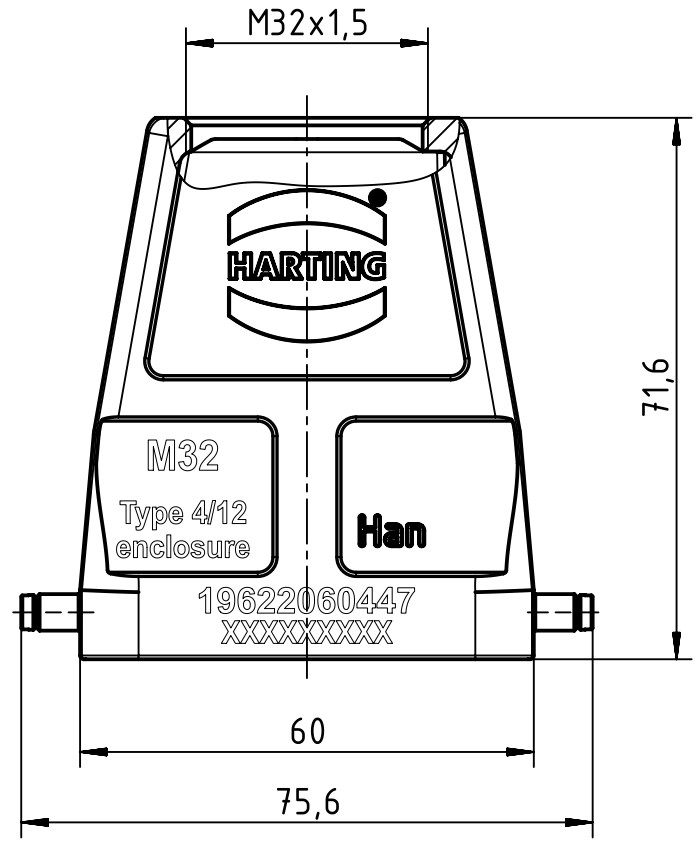
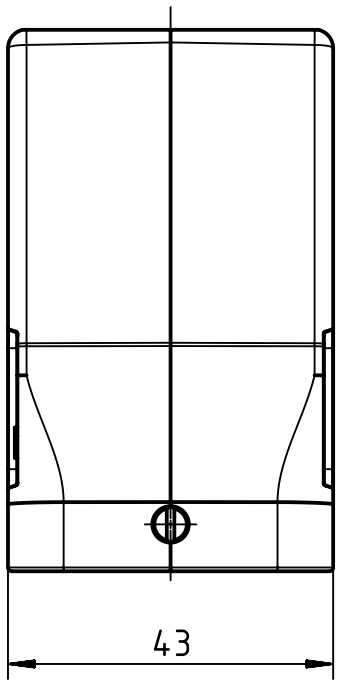
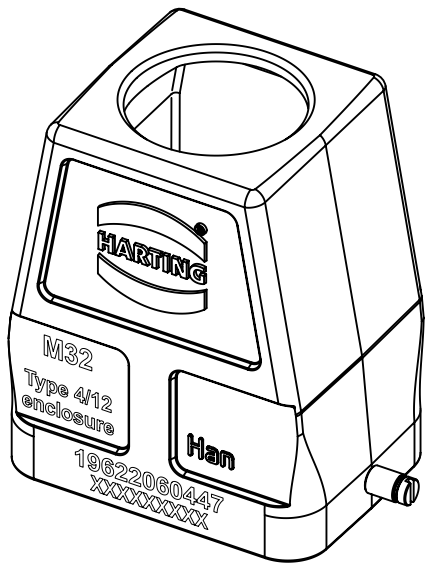
1 2 3 4 5 6

A

B

C

D



|   |  |  |   |                             |                            |  |
|---|--|--|---|-----------------------------|----------------------------|--|
|   | All Dimensions in mm<br>Original Size DIN A4 |  | Scale<br>1:1                              | Free size tol.              |                            | Ref.   |
|   |  |  |   |                             |                            | Sub.   |
|   | All rights reserved                          |  | Created by<br>HELLMANN                    | Inspected by<br>SUNDERMEIER | Standardisation<br>RUETERA | Date<br>2020-02-13                                       |
|   | Department EL PD                             |  |   |                             |                            | State<br>Final Release                                   |
| HARTING Electric GmbH & Co. KG<br>D-32339 Espelkamp |  |  | Title<br>Han 6EMC/B-HTE-HC-for SL-M32-HMC |                             |                            | Doc-Key / ECM-Nr.<br>100880738/UGD/005/A<br>500000166593 |
|   |  |  | Type<br>TB                                | Number<br>19 62 206 0447    |                            | Rev. <b>A</b> Page<br>1/1                                |