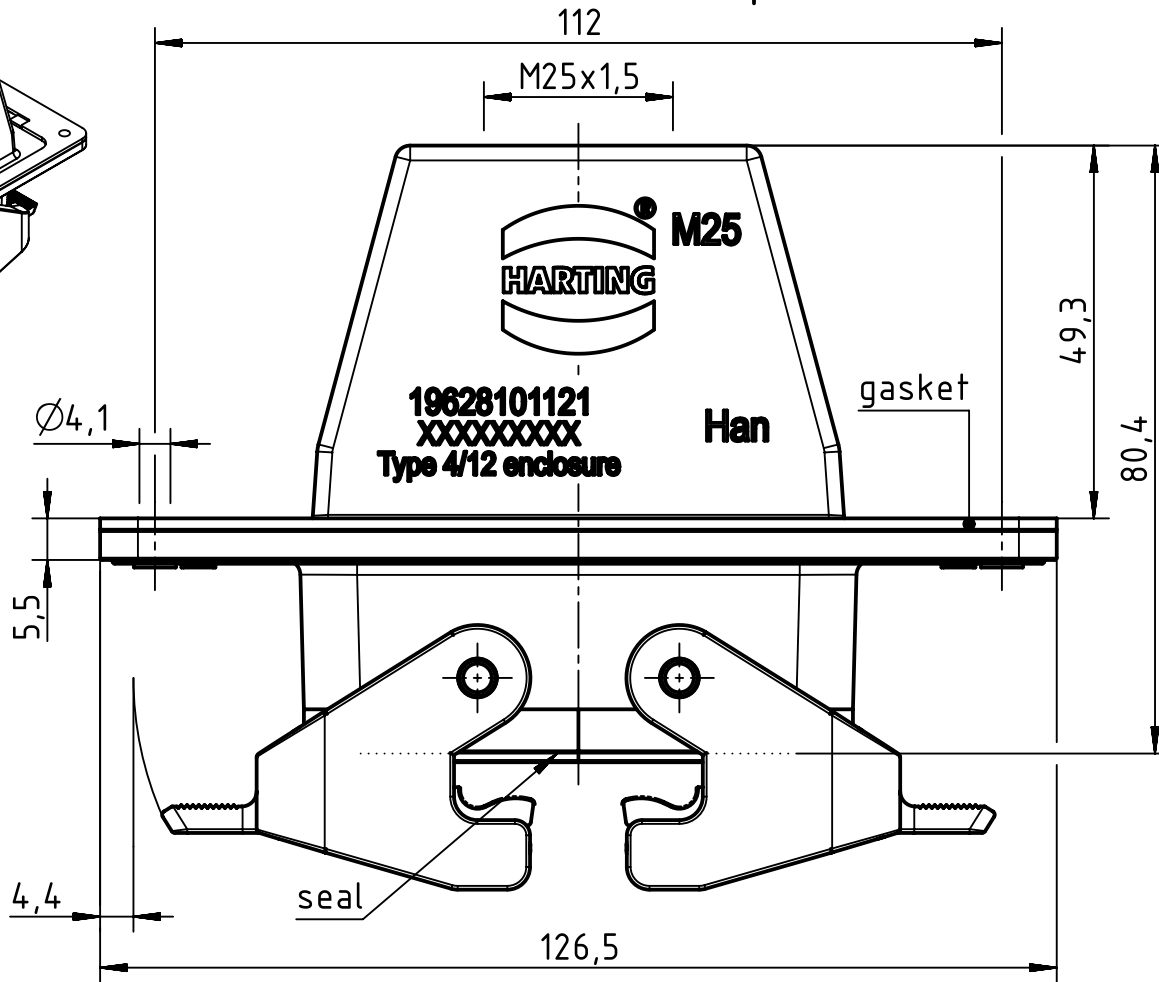


A

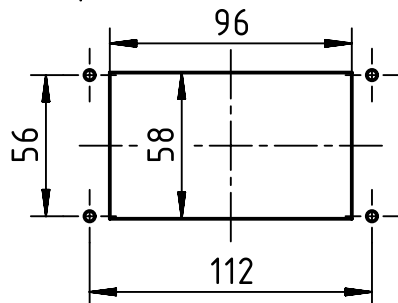
B


C

D



panel cut out (1:3)



	All rights reserved Department EL PD	All Dimensions in mm Original Size DIN A4			Scale 1:1	Free size tol.	Ref.	
		HARTING (Zhuhai) Manufacturing Co., Ltd. 519085 Zhuhai, China	Created by ZENG D	Inspected by LUOK	Standardisation SCHMIDTM	Date 2018-08-24	State Final Release	Sub.
Title Han 10EMC/B HTE M25 PFT DL							Doc-Key / ECM-Nr. 100801351/UGD/001/A 500000139096	
Type TB					Number 19 62 810 1121		Rev. A	Page 1/1