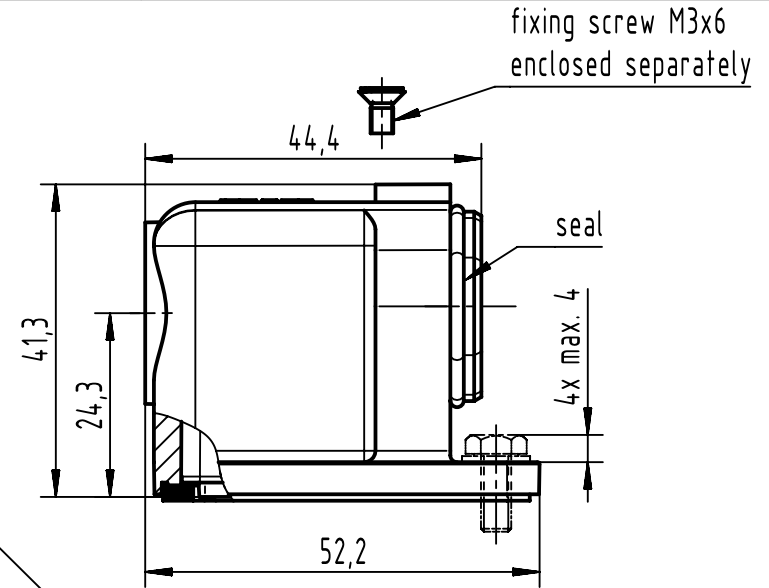
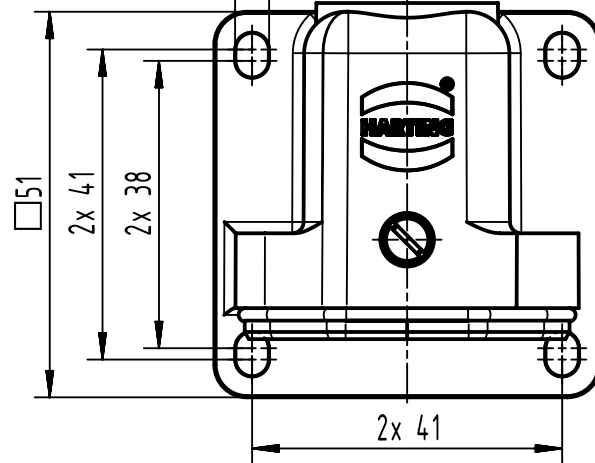
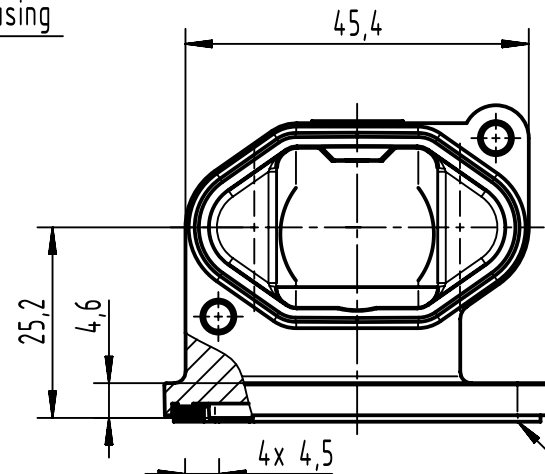
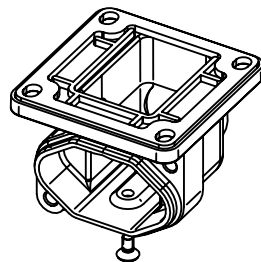
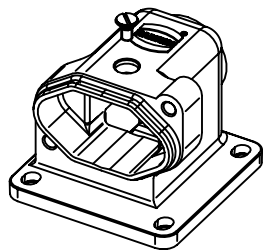


for EMC features,
conductive surface



gasket
enclosed separately

range of delivery:
housing: zinc die-casting alloy,
black powder coated
seals: 1 o-ring, 1 gasket
insert fixing screw for IP 68



	All Dimensions in mm Original Size DIN A4	Scale 1:1	Free size tol.		Ref.	
	All rights reserved Department EL PD	Created by HOLLERT	Inspected by GERB	Standardisation	Date 2021-11-17	State Final Release
HARTING D-32339 Espelkamp		Title Han 3 HPR angled housing RoHS conf.			Doc-Key / ECM-Nr. 100176111/UGD/004/D 500000205373	
		Type TB	Number 09 40 703 0950		Rev. D	Page 1/1