

1 2 3 4 5 6

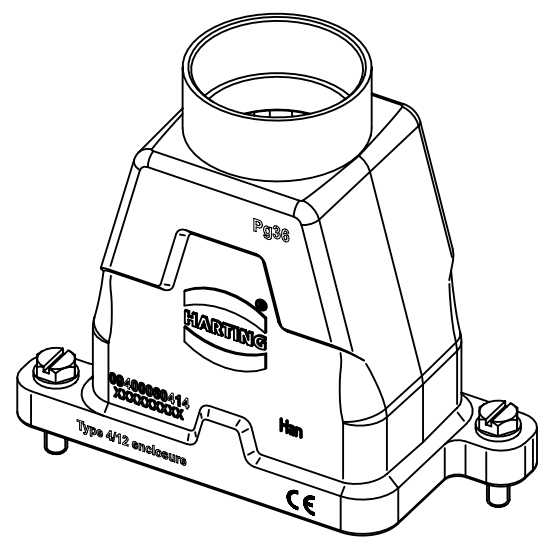
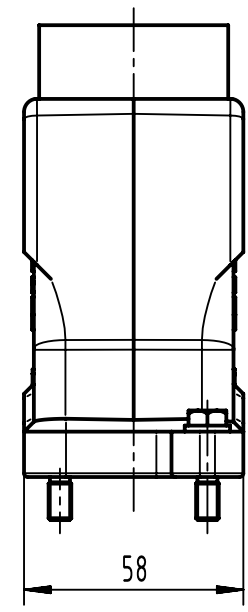
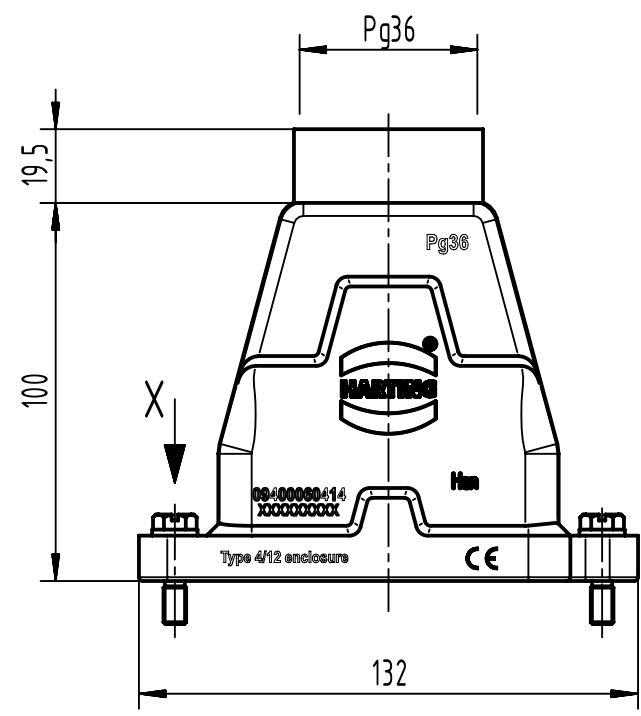
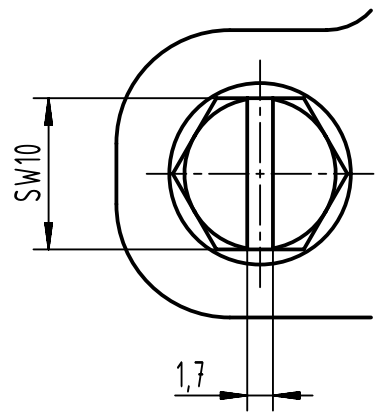
A

B

C

D

X (2:1)



for Han HC-Modular 650A/4kV

	All Dimensions in mm Original Size DIN A4		Scale 1:2	Free size tol.		Ref.	
						Sub.	
	All rights reserved		Created by SPRENB	Inspected by GERB	Standardisation	Date 2021-09-10	
	Department EL PD					State Final Release	
HARTING			Title Han 6HPR Hood Top PG36-SL/HC-Mod 650A4kV			Doc-Key / ECM-Nr. 100208603/UGD/004/E 500000201415	
D-32339 Espelkamp			Type TB	Number 09 40 006 0414			
						Rev. E	Page 1/1