

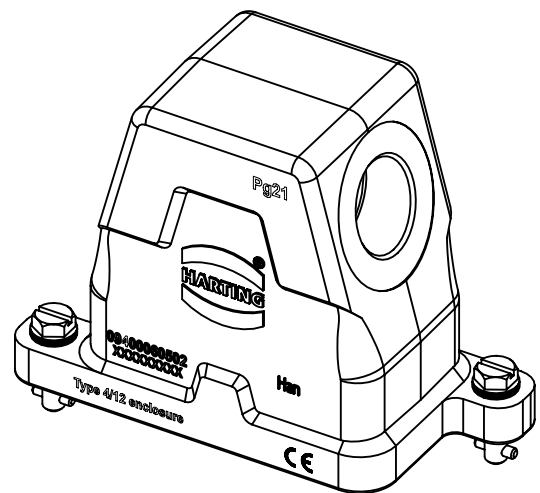
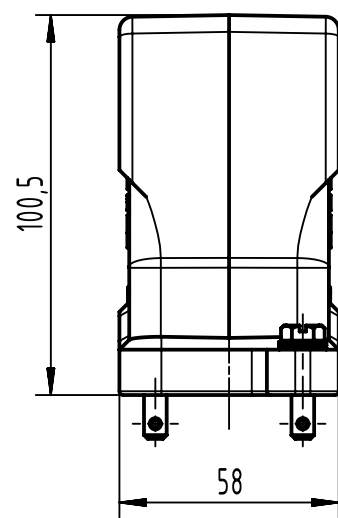
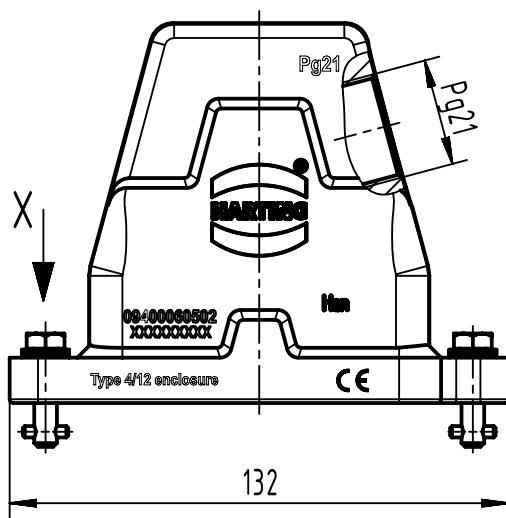
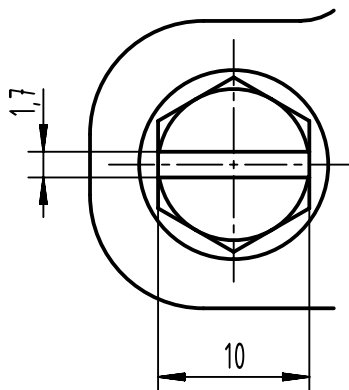
A

B

C

D

X (2:1)



	All Dimensions in mm Original Size DIN A4	Scale 1:2		Free size tol.		Ref.		
		Created by SPRENB		Inspected by GERB	Standardisation	Date 2021-09-10	State Final Release	
	All rights reserved		Title Han 6HPR HSE-Pg21-Toggle lock				Doc-Key / ECM-Nr. 100208626/UGD/004/D 500000201415	
	Department EL PD		Type TB	Number 09 40 006 0502			Rev. D	Page 1/1
HARTING D-32339 Espelkamp								