

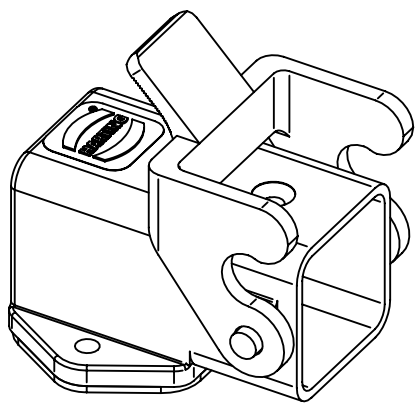
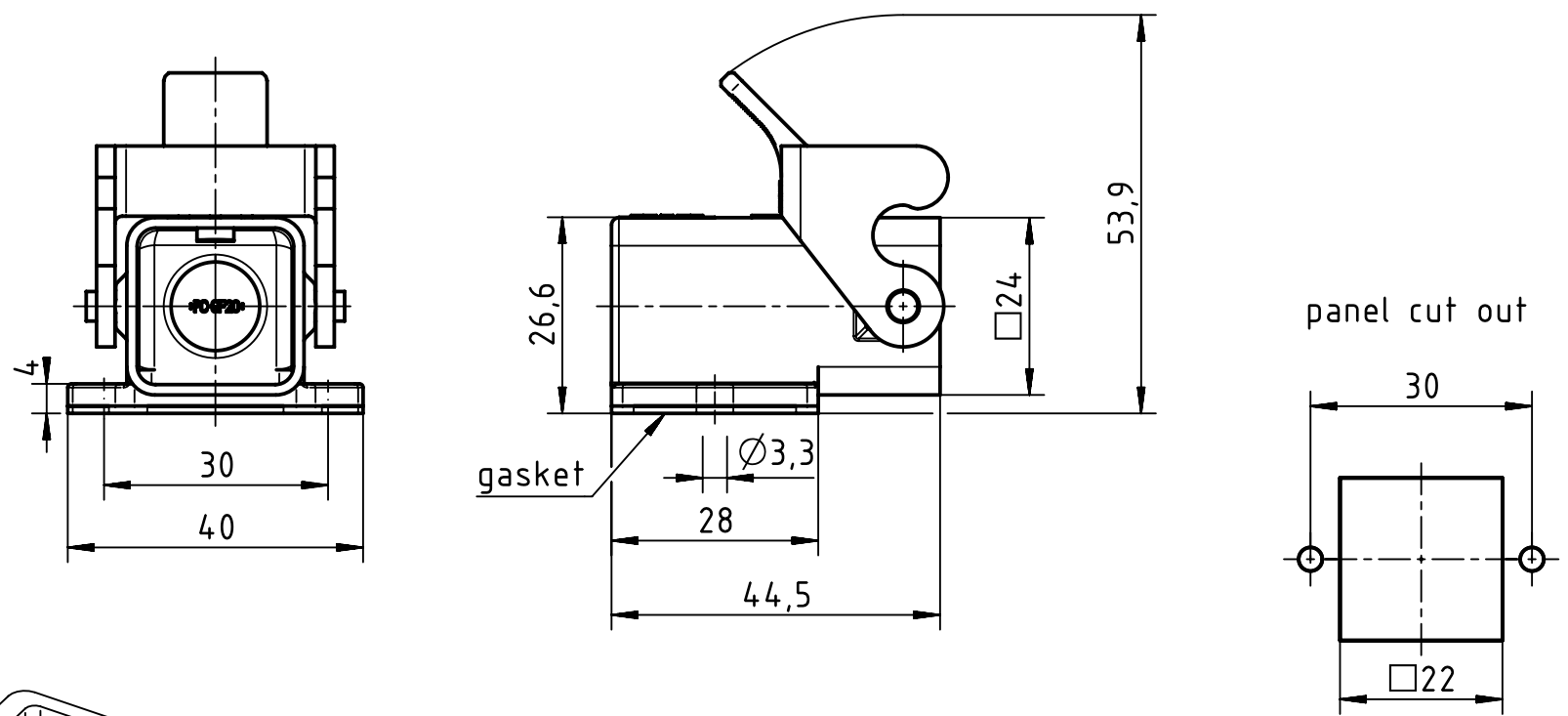
1 2 3 4 5 6


A

B

C

D



	All Dimensions in mm Original Size DIN A4		Scale 1:1	Free size tol.		Ref.		
	All rights reserved Department EL PD		Created by 402602	Inspected by PRIESTER	Standardisation RUETERA	Date 2020-09-29	State Final Release	
HARTING Electric GmbH & Co. KG D-32339 Espelkamp			Title Han 3A-HBMA/P-DL-black			Doc-Key / ECM-Nr. 100197004/UGD/004/B 500000180271		
			Type TB	Number 09 20 003 0827			Rev. B	Page 1/1