

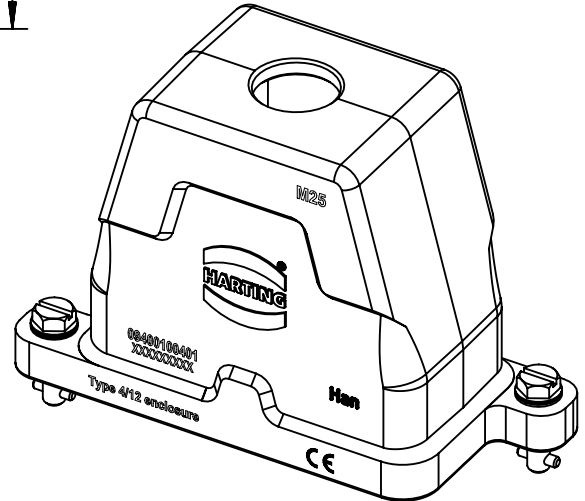
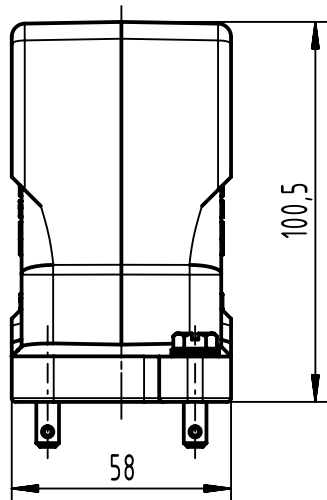
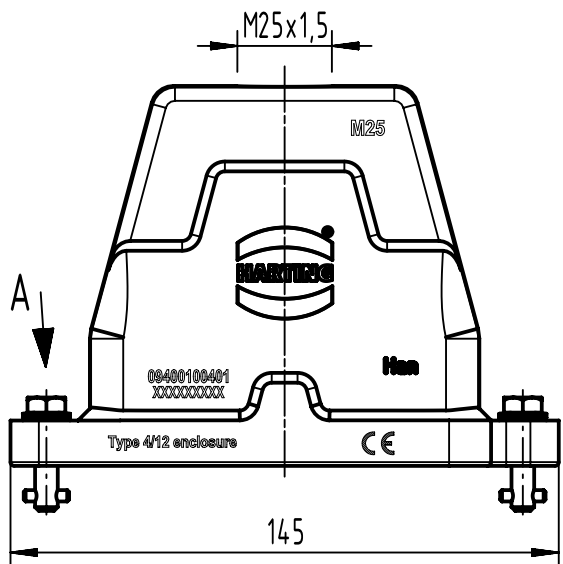
1 2 3 4 5 6

A

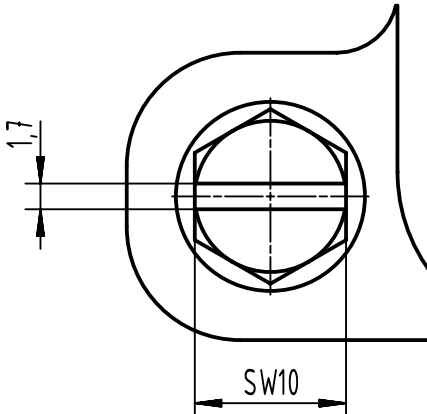
B

C

D



A (2:1) 2x



	All rights reserved Department EL PD	All Dimensions in mm Original Size DIN A4		Scale 1:2	Free size tol.	Ref. Sub.
		Created by SPRENB	Inspected by GERB	Standardisation	Date 2021-08-10	State Final Release
HARTING D-32339 Espelkamp		Title Han 10HPR-gg-KV-M25			Doc-Key / ECM-Nr. 100206742/UGD/004/D 500000196731	
		Type TB	Number 19 40 010 0401		Rev. D	Page 1/1