

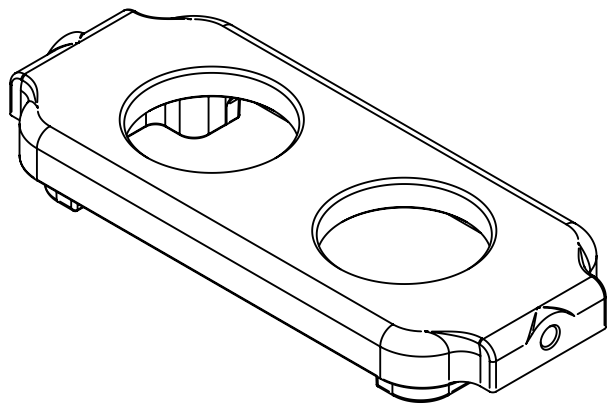
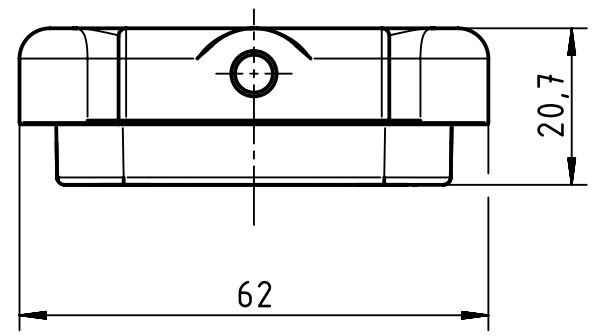
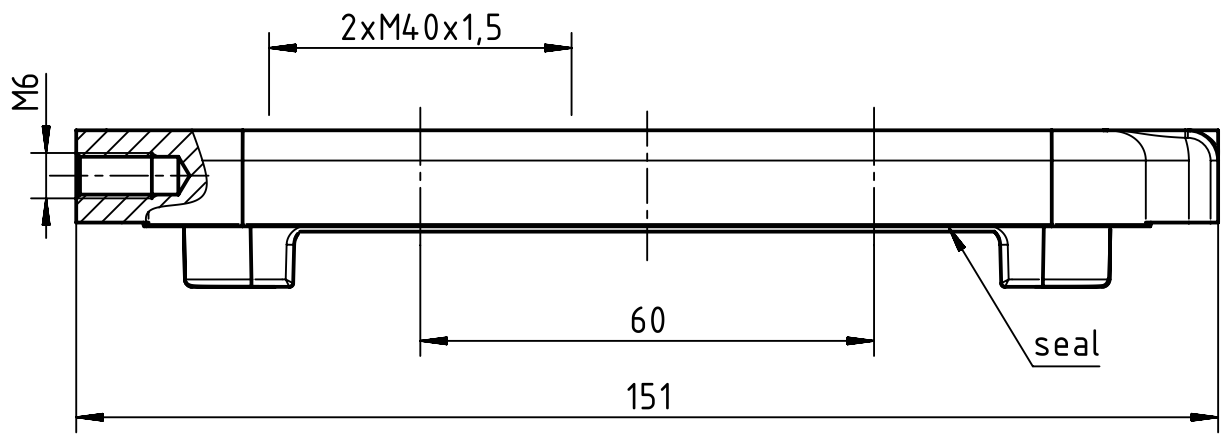
1                      2                      3                      4                      5                      6


A

B

C

D



	All Dimensions in mm Original Size DIN A4		Scale 1:1	Free size tol.		Ref.	
	All rights reserved Department EL PD - CN		Created by LONGL	Inspected by WENE	Standardisation TIEMANNA	Date 2017-09-12	State Final Release
HARTING (Zhuhai) Manufacturing Co., Ltd. 519085 Zhuhai, China			Title Han 16HPR EasyCon cover 2XM40			Doc-Key / ECM-Nr. 100686278/UGD/000/A 500000125121	
			Type TB	Number 19 40 016 9905		Rev. A	Page 1/1