

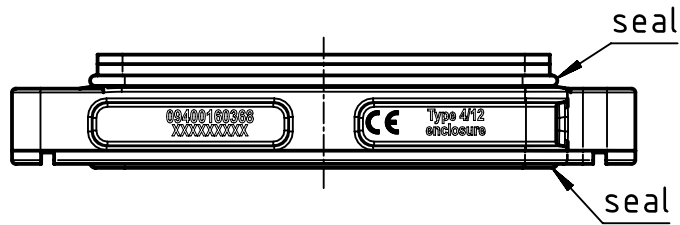
1 2 3 4 5 6

A

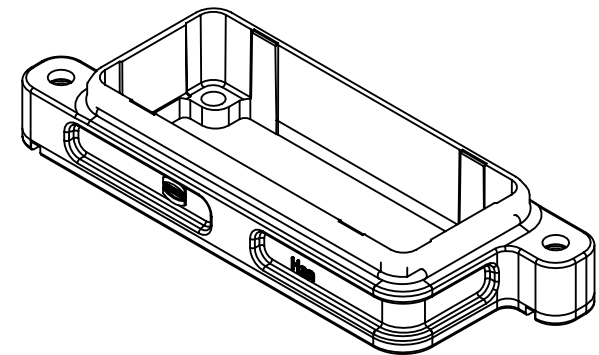
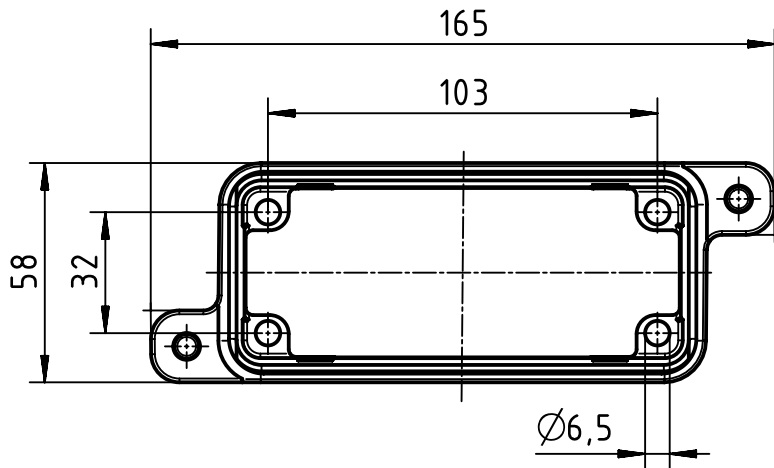
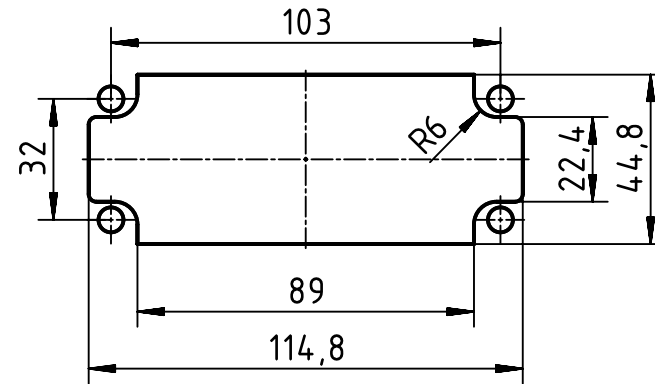
B

C

D



panel cut out



	All Dimensions in mm Original Size DIN A4		Scale 1:2	Free size tol.		Ref.		
						Sub.		
	All rights reserved		Created by SPRENB	Inspected by GERB	Standardisation 302077	Date 2020-11-02	State Final Release	
	Department EL PD		Title Han 16HPR-enlarged-HBM-SL				Doc-Key / ECM-Nr. 100209321/UGD/004/F 500000181166	
HARTING Electric GmbH & Co. KG D-32339 Espelkamp			Type TB	Number 09 40 016 0368			Rev. F	Page 1/1