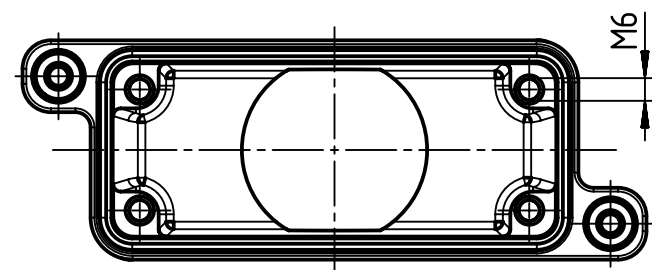
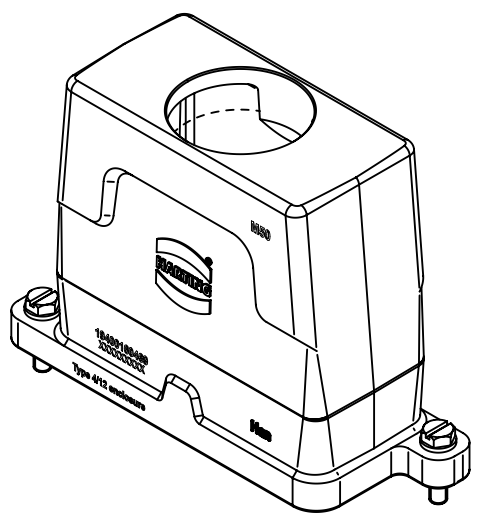
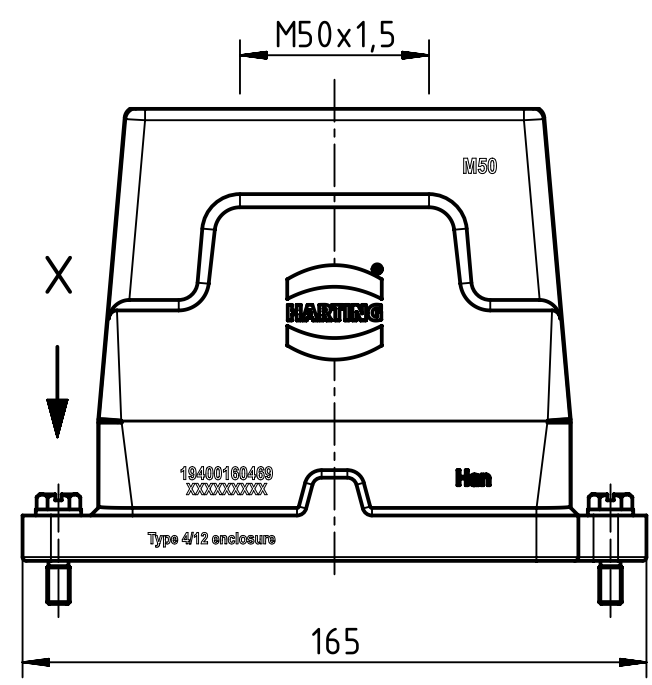
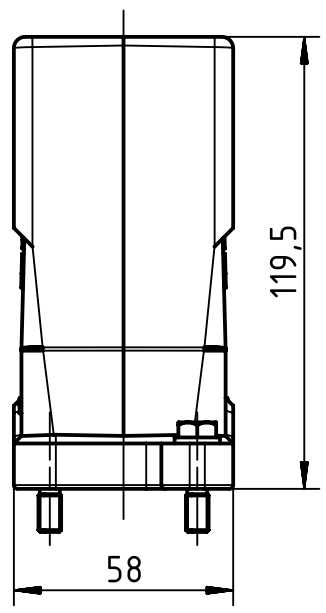
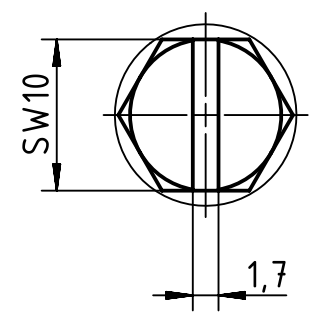



1 2 3 4 5 6

A
B
C
D



X (2:1)



| | | | | | | | |
|---|--|--|--------------------------|----------------------|----------------------------|--|------------------------|
|  | All Dimensions in mm Original Size DIN A4 | | Scale 1:2 | Free size tol. | | Ref. | |
| | All rights reserved Department EL PD | | Created by ZENGD | Inspected by LUOK | Standardisation RUETERA | Date 2018-10-16 | State Final Release |
| HARTING Electric GmbH & Co. KG D-32339 Espelkamp | | Title Han 16HPR-HTE-SL-M50 enlarged | | | | Doc-Key / ECM-Nr. 100806361/UGD/004/A 500000141339 | |
| | | Type TB | Number 19 40 016 0469 | | | Rev. A | Page 1/1 |