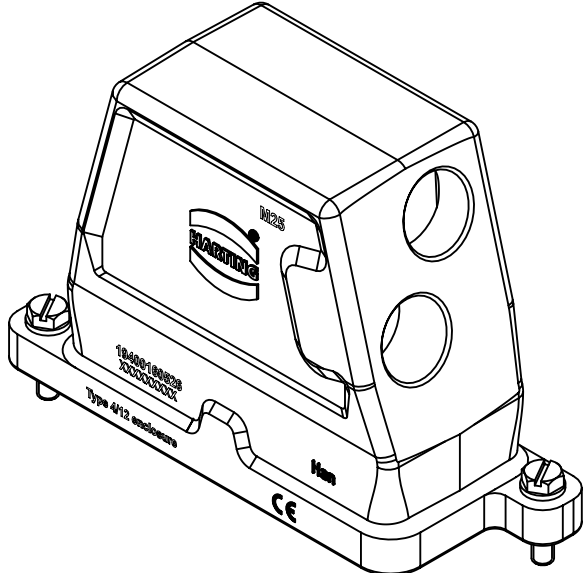
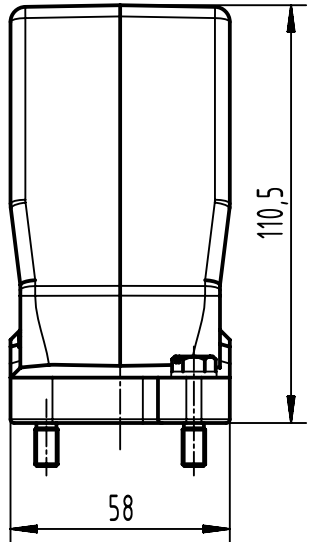
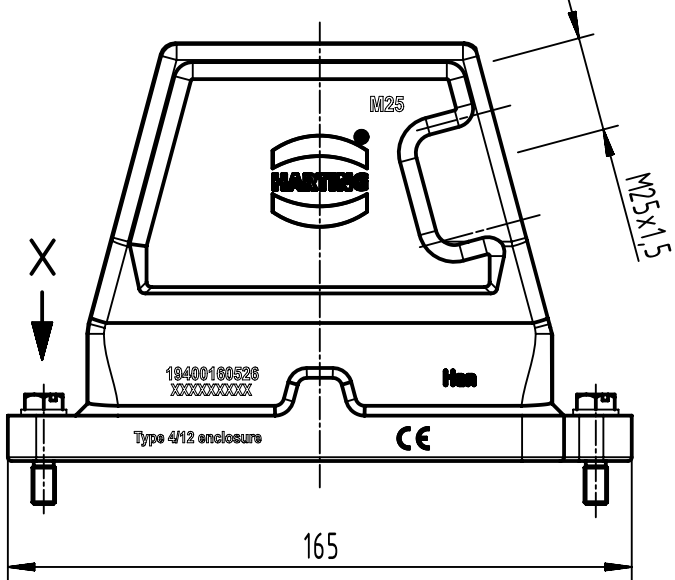
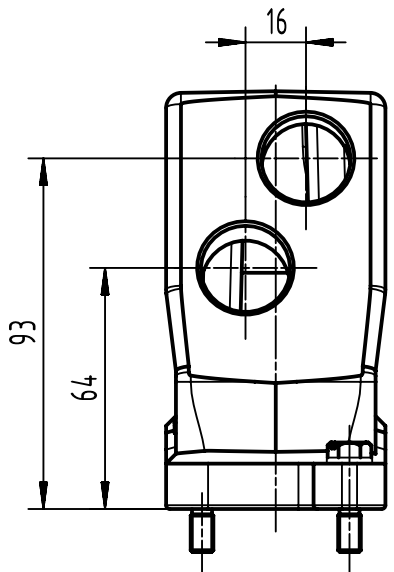
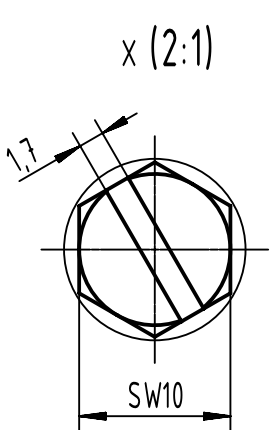


1 2 3 4 5 6

A
B
C
D



	All Dimensions in mm Original Size DIN A4		Scale 1:2	Free size tol.		Ref.
						Sub.
	All rights reserved		Created by HELLMANN	Inspected by GERB	Standardisation 302077	Date 2021-01-19
	Department EL PD					State Final Release
HARTING			Title Han 16HPR-HSE2-SL-M25			Doc-Key / ECM-Nr. 100886319/UGD/004/B 500000178007
D-32339 Espelkamp			Type TB	Number 19 40 016 0526		
						Page 1/1