

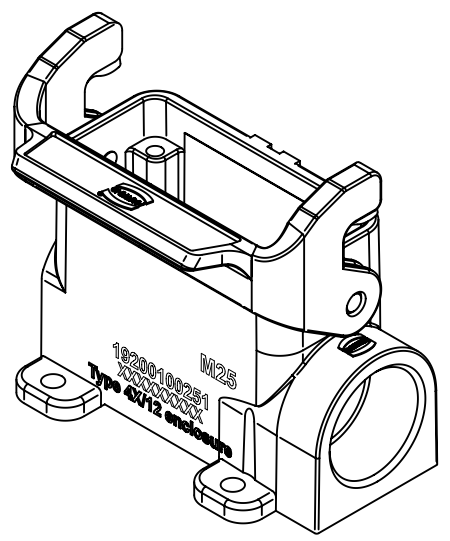
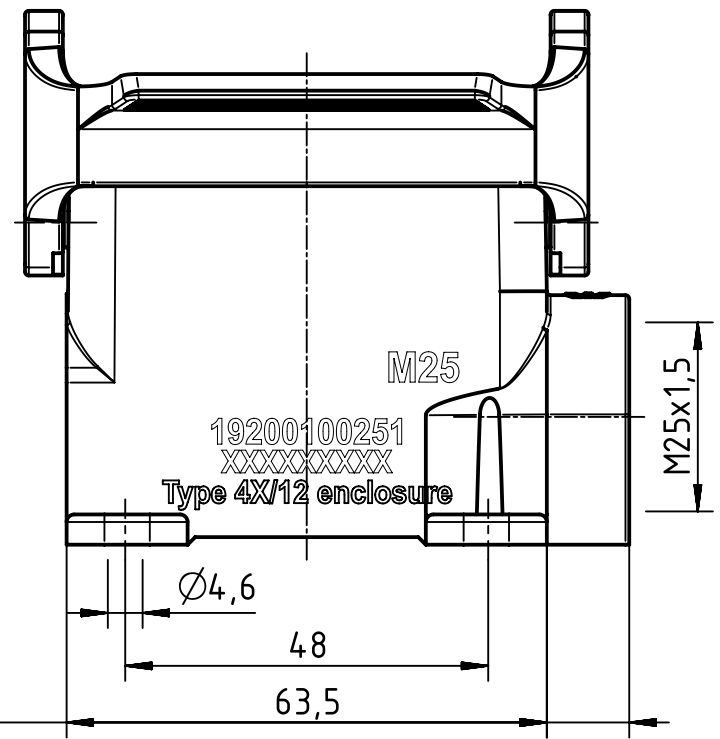
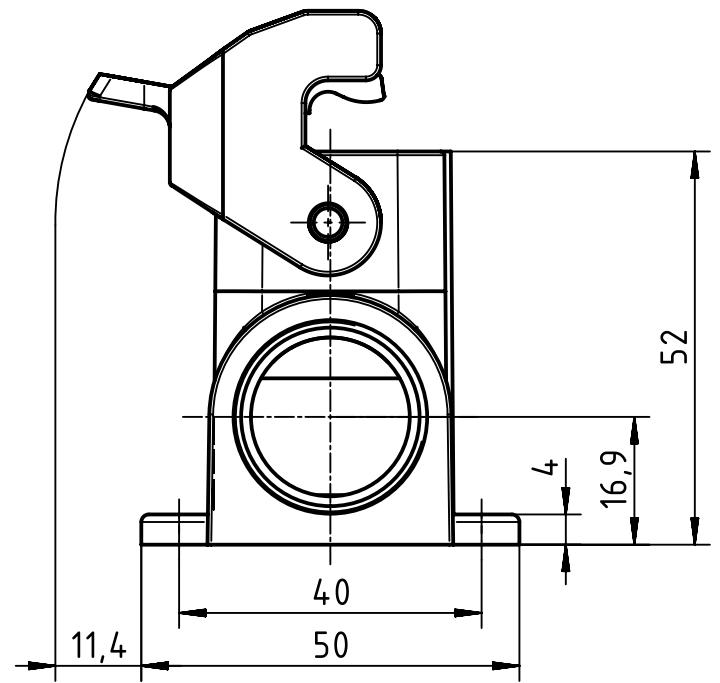
1 2 3 4 5 6

A

B

C

D



	All Dimensions in mm Original Size DIN A4		Scale 1:1	Free size tol.		Ref. Sub. TB 19 20 010 0251 v. 16.11.00			
		All rights reserved Department EL PD		Created by HELLMANN	Inspected by GERB	Standardisation GARSKE	Date 2019-11-27	State Final Release	
HARTING Electric GmbH & Co. KG D-32339 Espelkamp				Title Han 10A-HSM-HC 1 Lever 1xM25			Doc-Key / ECM-Nr. 100190770/UGD/004/D 500000161360		
				Type TB	Number 19 20 010 0251			Rev. D	Page 1/1