

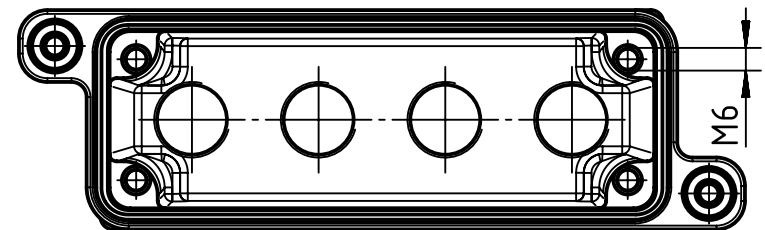
1 2 3 4 5 6

A

B

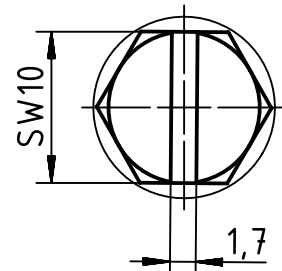
C

D



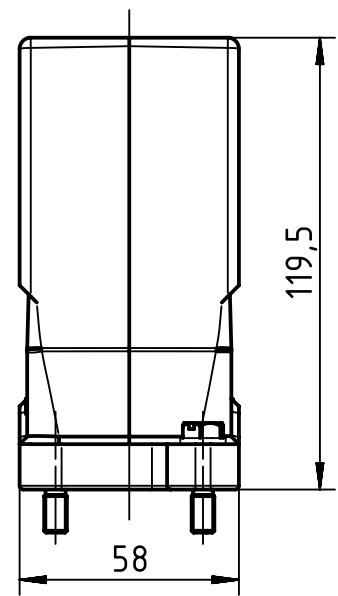
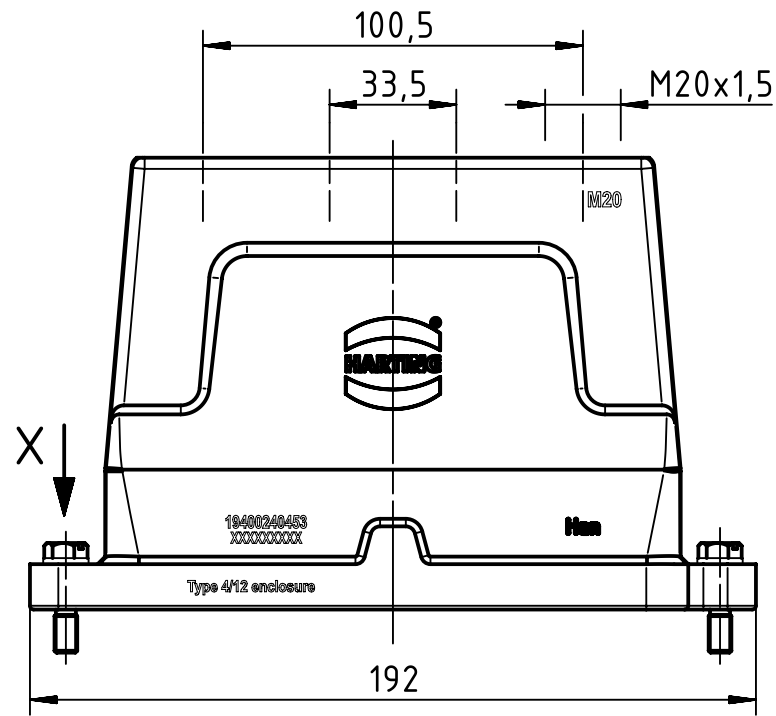
M6

X(2:1)



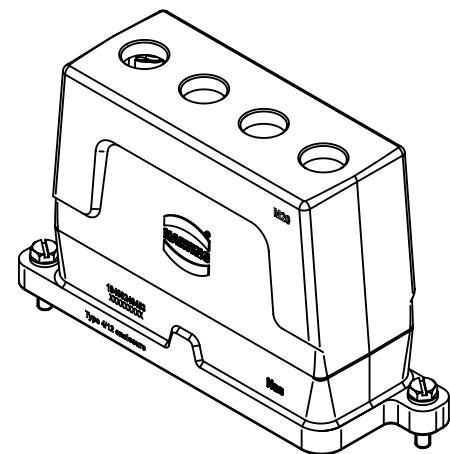
SW10


1,7



119,5

58



	All rights reserved		Created by ZENG		Inspected by LUOK		Standardisation GARSKE		Date 2019-11-29		State Final Release	
	Department EL PD		Title Han 24HPR-HTE4-SCL-M20-enlarged		Number 19 40 024 0453		Doc-Key / ECM-Nr. 100869266/UGD/004/A 500000161768		Rev. A		Page 1/1	
HARTING Electric GmbH & Co. KG D-32339 Espelkamp			Scale 1:2		Free size tol.		Ref.		Sub.			
			All Dimensions in mm Original Size DIN A4									