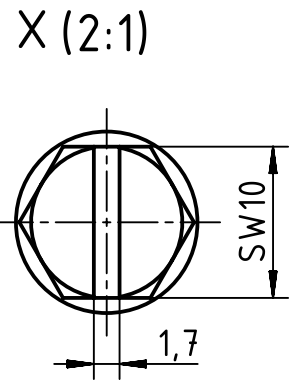
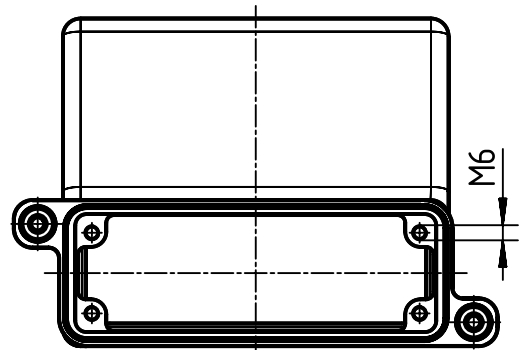


1 2 3 4 5 6

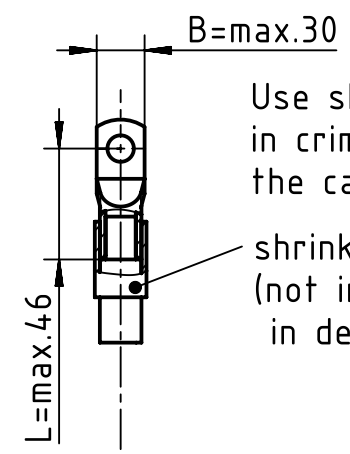
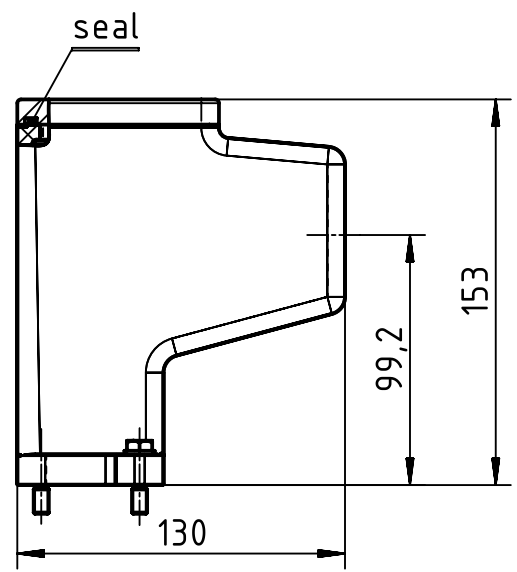
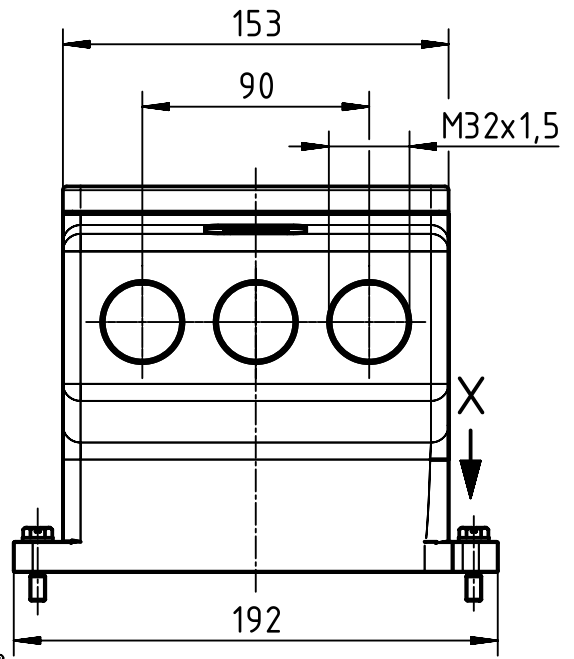
A
B
C
D



Technical characteristics
acc. to DIN EN 50124-1:

Rated insulation voltage: 2,3 kV
Overvoltage category: OV2
Pollution degree: PD3

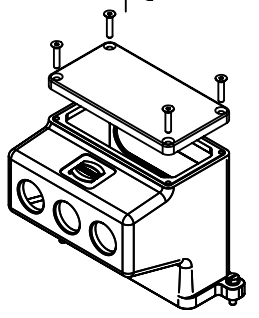
Max. length and width of
cable lugs (not included in
delivery)



Use shrinking tube
in crimp zone of
the cable-lugs!

shrinking tube
(not included
in delivery)

Cover and countersunk-head screws
are enclosed separately.



	All rights reserved Department EL PD - DE HARTING Electric GmbH & Co. KG D-32339 Espelkamp	All Dimensions in mm Original Size DIN A4		Scale 1:3	Free size tol.	Ref. Sub.
		Created by FINKEV	Inspected by MOOR	Standardisation SCHMIDTM	Date 2014-12-15	State Final Release
Title Han 24HPR-enlarged-HAE-SL-3xM32						Rev. B
Type TB				Number 19 40 024 0652		Page 1/1