

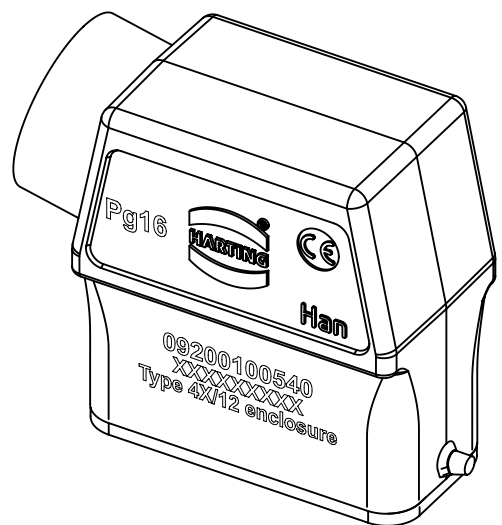
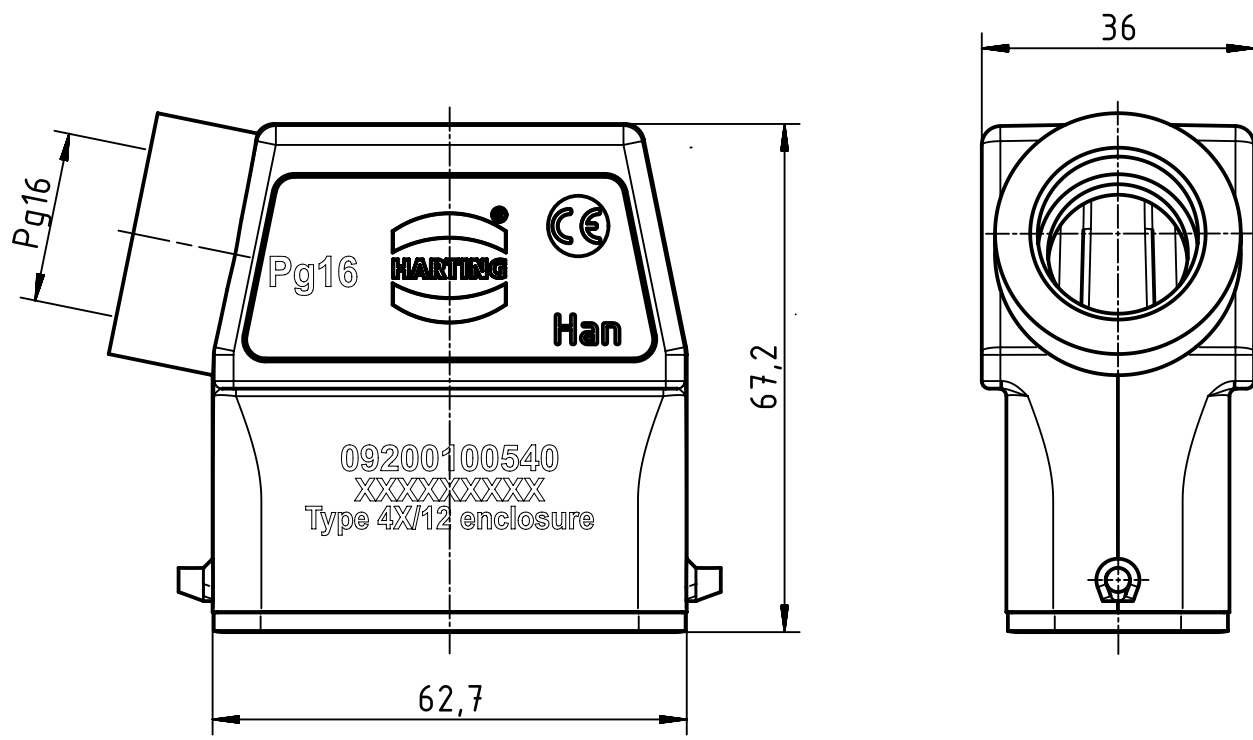
1 2 3 4 5 6

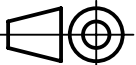

A

B

C

D



 All Dimensions in mm Original Size DIN A4	Scale	Free size tol.			Ref.
	1:1				Sub.
 All rights reserved Department EL PD	Created by	Inspected by	Standardisation	Date	State
	RULLKOETTER	GERB	GARSKE	2019-11-22	Final Release
HARTING Electric GmbH & Co. KG D-32339 Espelkamp	Title				Doc-Key / ECM-Nr.
	Han 10A-HSE-HC-for SL-Pg16				100189407/UGD/004/C 500000160860
Type	Number	Rev.			Page
TB	09 20 010 0540	C			1/1