

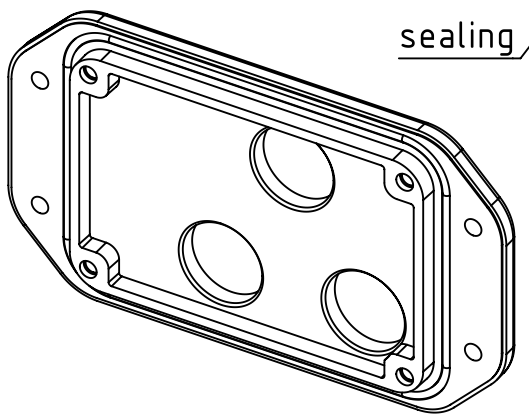
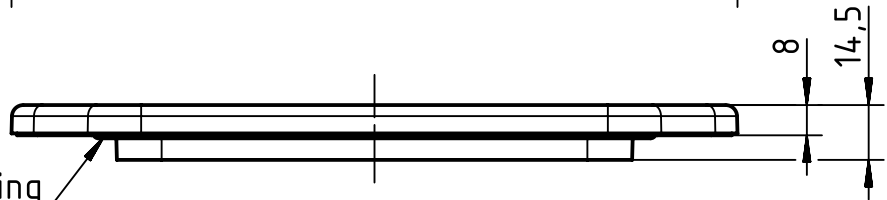
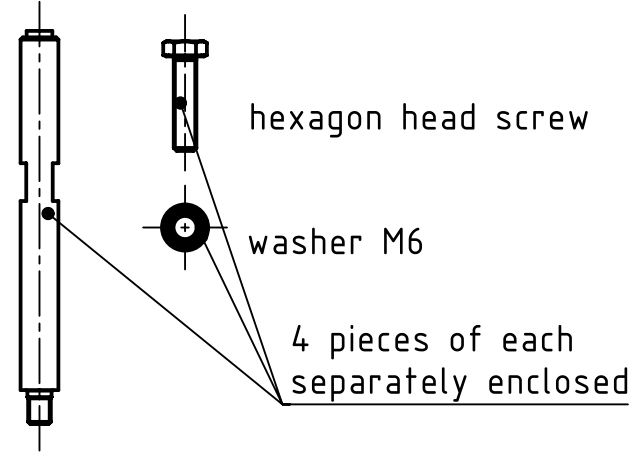
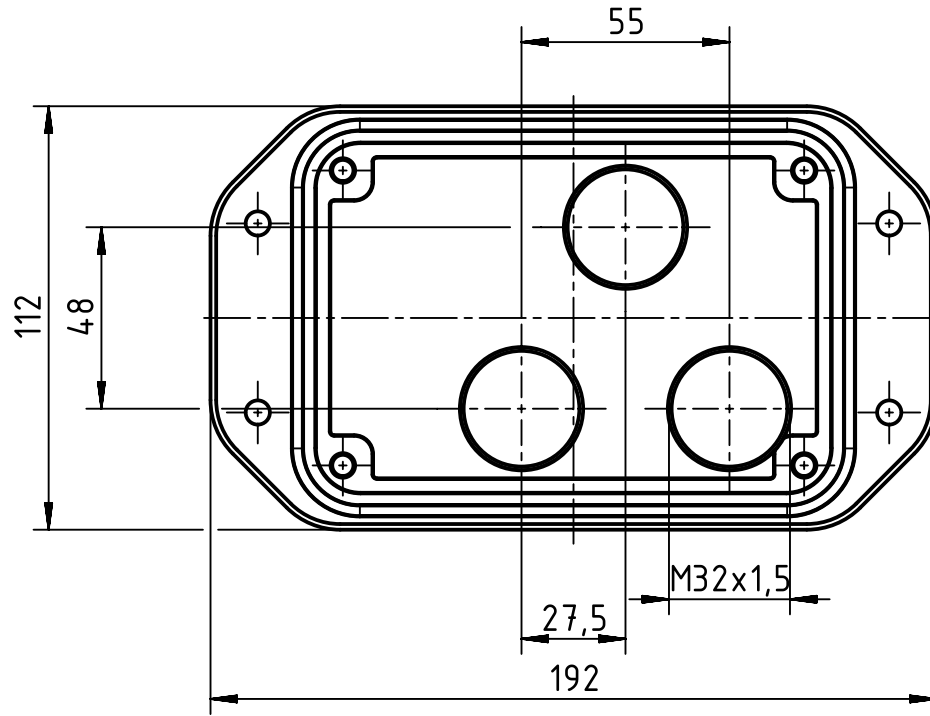
1 2 3 4 5 6


A

B

C

D



	All Dimensions in mm Original Size DIN A4		Scale 1:2	Free size tol.		Ref.	
	All rights reserved Department EL PD		Created by HELLMANN	Inspected by SUNDERMEIER	Standardisation GARSKE	Date 2019-11-29	State Final Release
HARTING Electric GmbH & Co. KG D-32339 Espelkamp			Title Han 48HPR cover 3xM32			Doc-Key / ECM-Nr. 100840714/UGD/001/A 500000161722	
			Type TB	Number 19 40 048 9902		Rev. A	Page 1/1