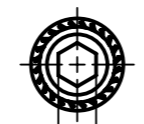


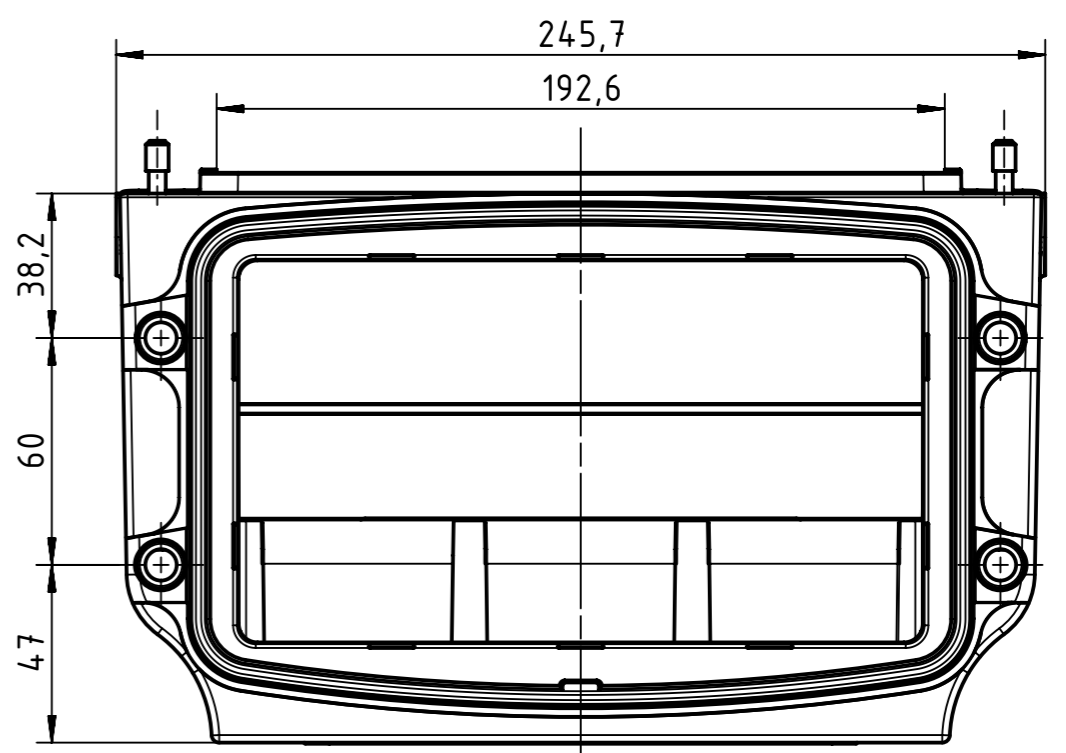
09401242424
XXXXXXXXXX
Type 4/12 enclosure



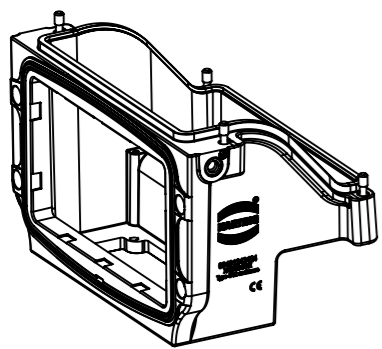
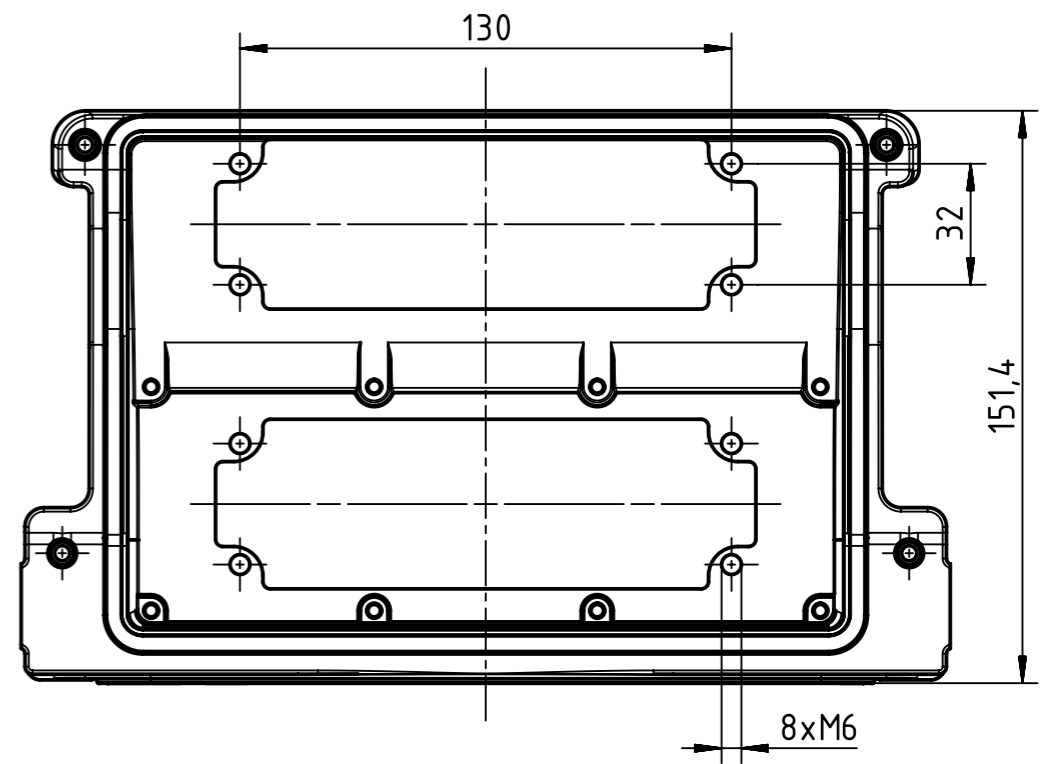
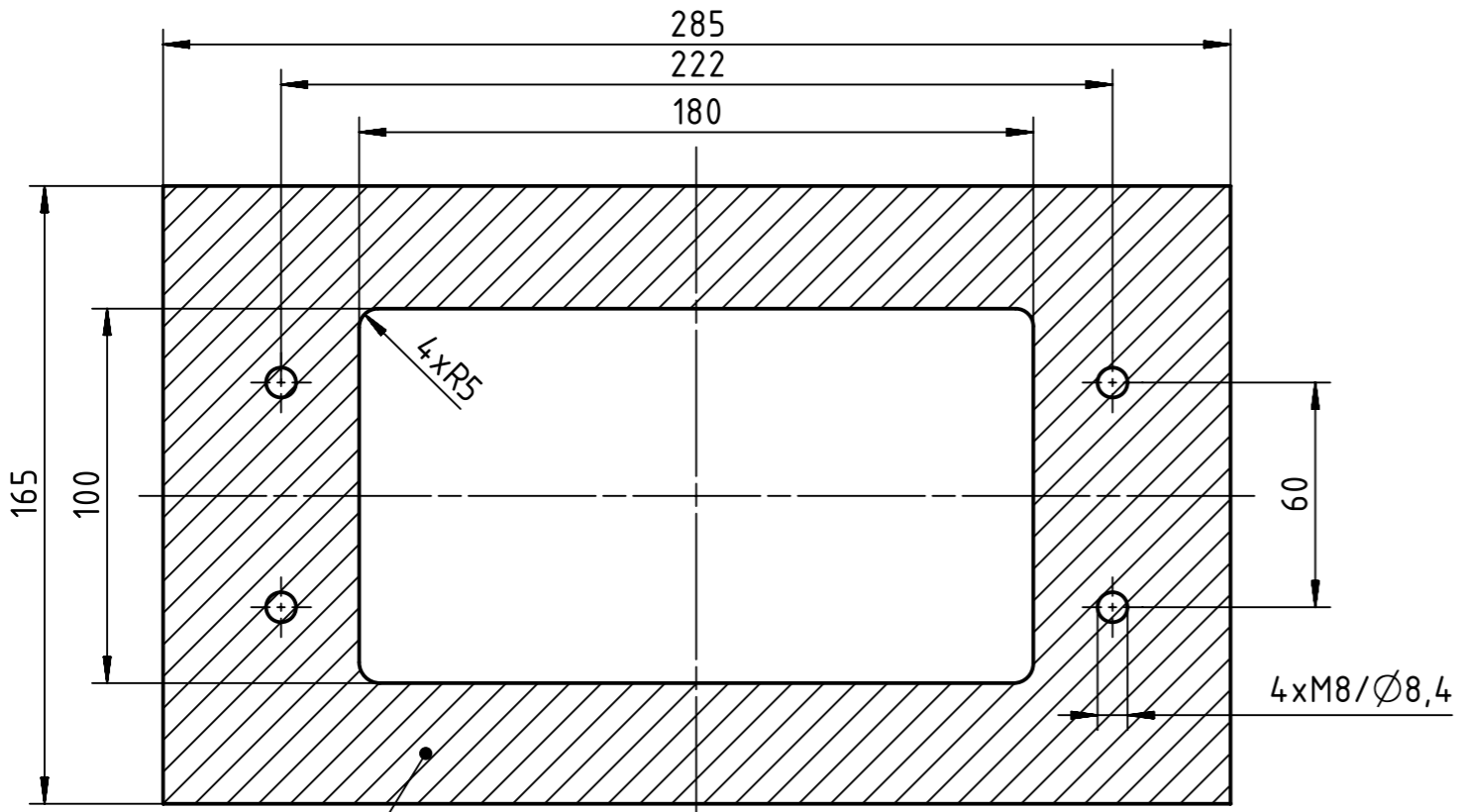
F (1:1)



SW5



Panel cut out



Mounting area:
Waviness: $\leq 0,2\text{mm}$ (in combination with mounting frame: $\leq 0,5\text{mm}$)
Roughness: $\leq \text{Ra}16\mu\text{m}$

	All Dimensions in mm Original Size DIN A3		Scale 1:2	Free size tol.		Ref. Sub.	
	All rights reserved Department EL PD		Created by LONGL	Inspected by WENE	Standardisation GARSKE	Date 2020-04-10	State Final Release
HARTING Electric GmbH & Co. KG D-32339 Espelkamp		Title Han 24HPR VarioShell-HBMA-SCL-2x24HPR				Doc-Key / ECM-Nr. 100813165/UGD/000/B 500000170918	
		Type TB	Number 09 40 124 2424			Rev. B	Page 1/1