

1 2 3 4 5 6

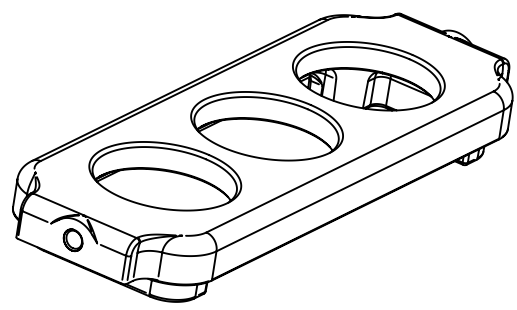
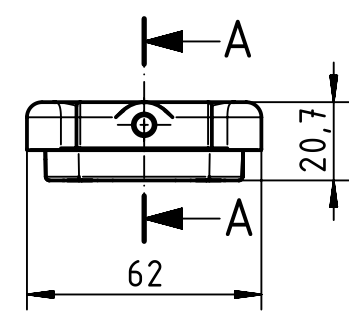
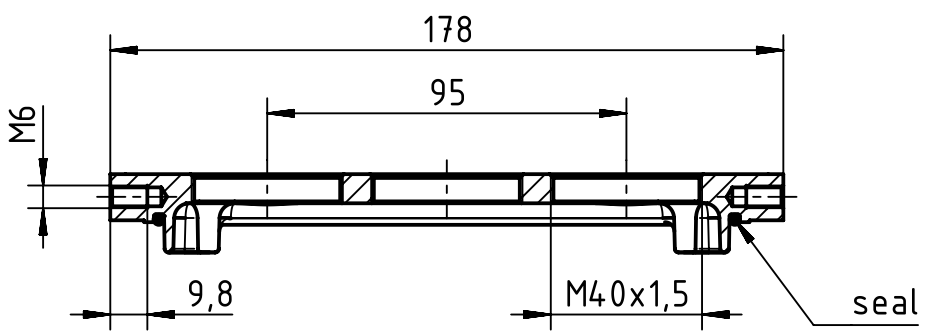
A


B

C

D

A - A



	All rights reserved Department EL PD - DE HARTING Electric GmbH & Co. KG D-32339 Espelkamp	All Dimensions in mm Original Size DIN A4		Scale 1:2	Free size tol.	Ref. Sub.
		Created by FINKEV	Inspected by RIEPE	Standardisation SCHMIDTM	Date 2015-08-19	State Final Release
Title Han 24HPR EasyCon cover 3xM40					Doc-Key / ECM-Nr. 100632685/UGD/001/A 500000093392	
Type TB		Number 19 40 024 9907			Rev. A	Page 1/1