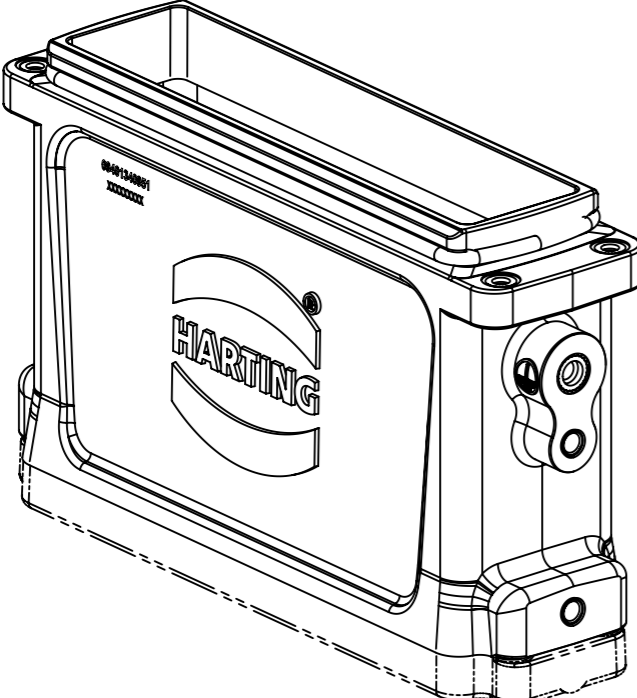



cover not included in delivery



	All rights reserved		Created by ZENG D		Inspected by LUOK		Standardisation SCHMIDTM		Date 2018-09-13		State Final Release	
	Department EL PD		Title Han 34HPR EasyCon-HSM		Doc-Key / ECM-Nr. 100680152/UGD/001/D 500000139631		Rev. D		Page 1/1			
HARTING Electric GmbH & Co. KG D-32339 Espelkamp			Type TB		Number 09 40 134 0951							