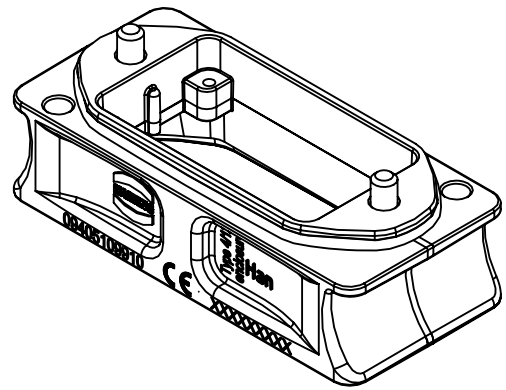
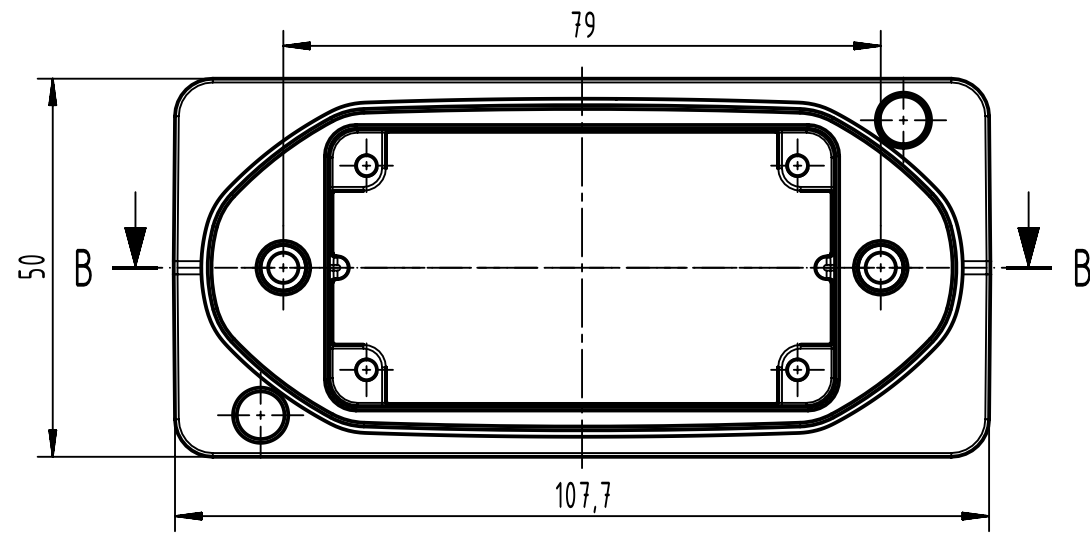
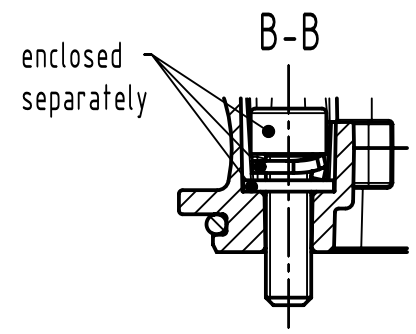
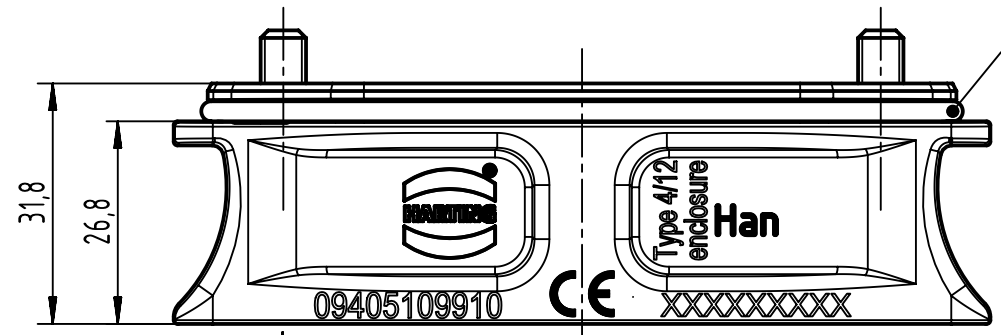
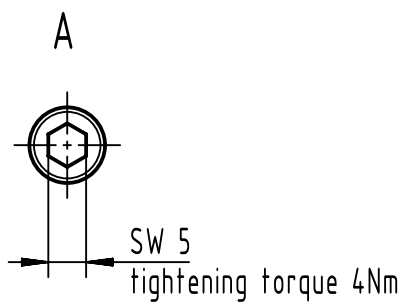


1 2 3 4 5 6

A
B
C
D



<p>All Dimensions in mm Original Size DIN A4</p>	Scale 1:1	Free size tol.		Ref.	
	<p>All rights reserved Department EL PD</p>			<p>Created by WENE</p> <p>Inspected by LUOK</p> <p>Standardisation 302077</p>	<p>Date 2021-06-11</p> <p>State Final Release</p>
<p>HARTING D-32339 Espelkamp</p>		<p>Title Han 10HPR-Compact-extender-for SCL</p> <p>Type TB Number 09 40 510 9910</p>			<p>Doc-Key / ECM-Nr. 100875669/UGD/001/D 500000196643</p> <p>Rev. D Page 1/1</p>