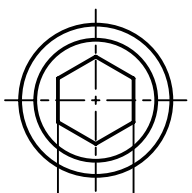


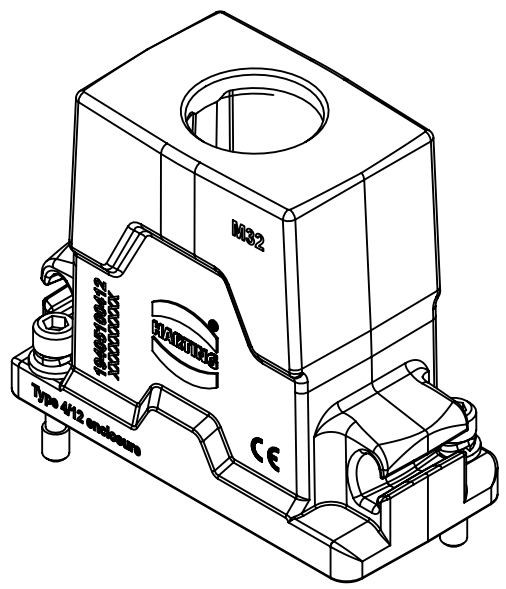
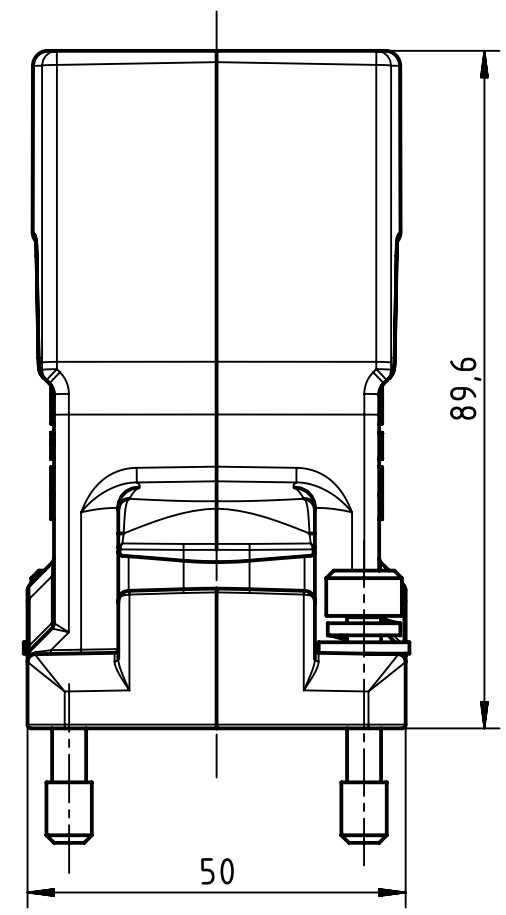
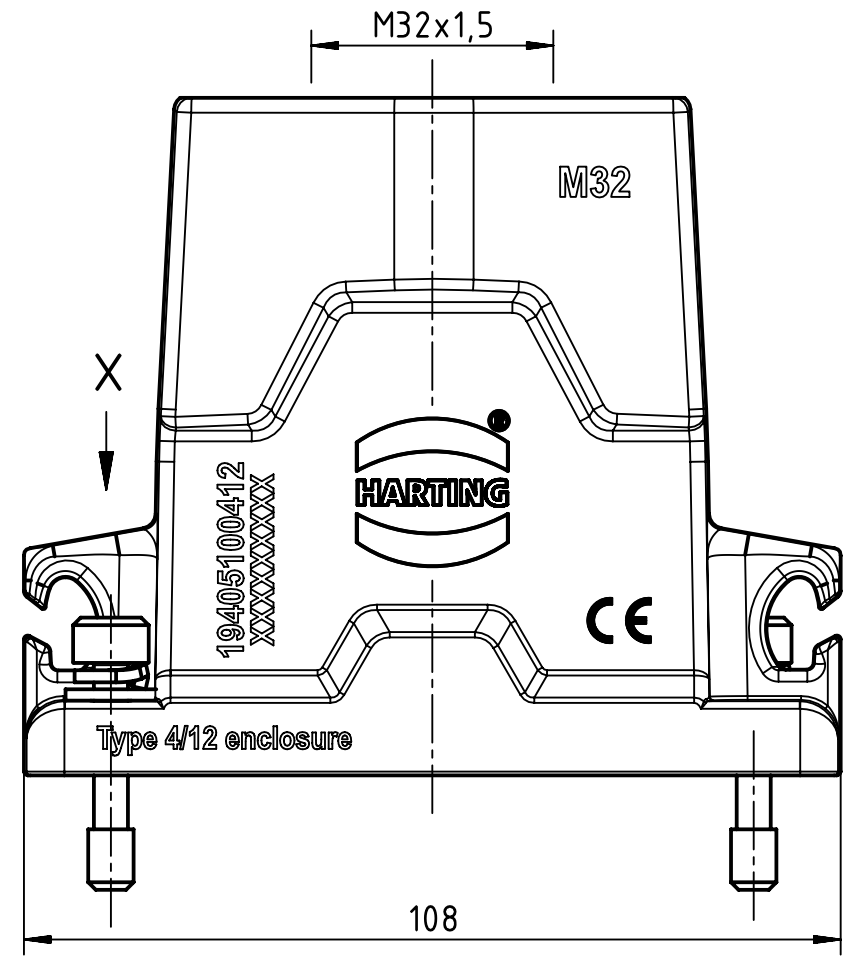
1 2 3 4 5 6

A  
B  
C  
D

X (2:1)



SW 5  
tightening torque  
min. 4Nm



	All Dimensions in mm Original Size DIN A4		Scale 1:1	Free size tol.		Ref.
			Created by WENE	Inspected by LUOK	Standardisation 302077	Sub.
All rights reserved Department EL PD		Title Han 10HPR-Compact-HTE-HC-SCL-M32		Date 2021-06-04		State Final Release
HARTING D-32339 Espelkamp		Type TB		Number 19 40 510 0412		Doc-Key / ECM-Nr. 100871394 / UGD/002/C 500000196200
					Rev. C	Page 1/1