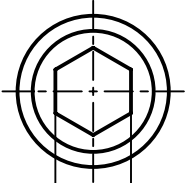
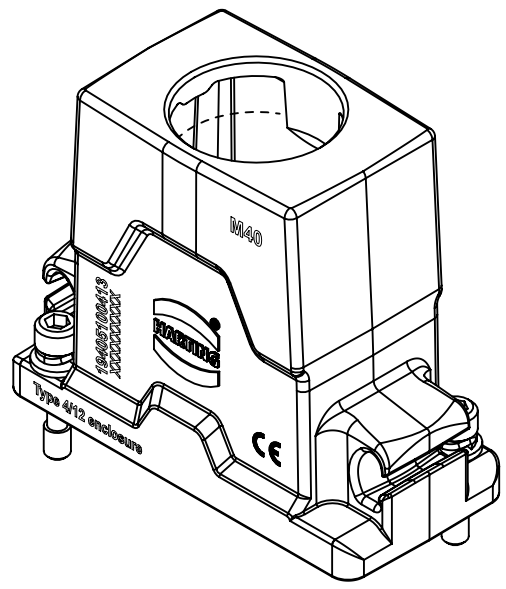
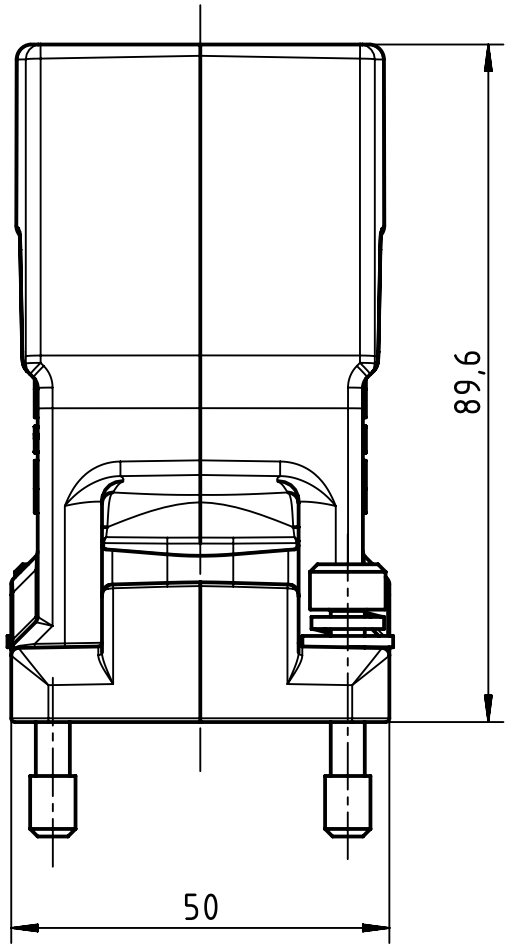
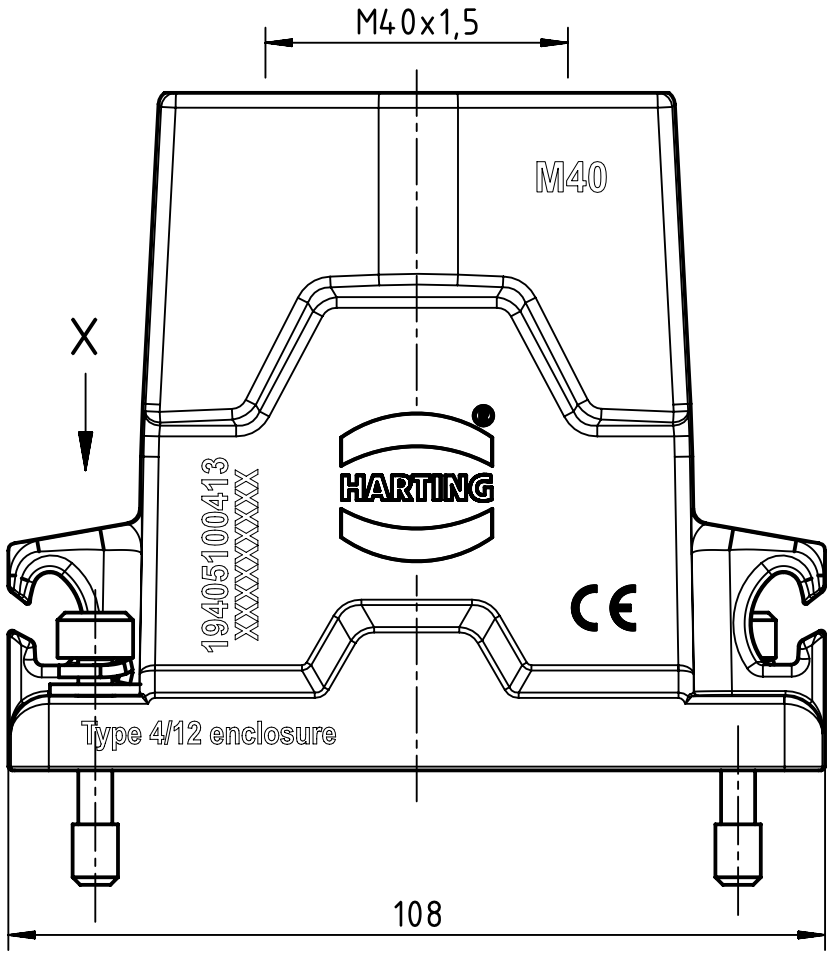


X (2:1)



SW 5  
tightening torque  
min. 4Nm



	All rights reserved		Created by WENE		Inspected by LUOK		Standardisation 302077		Date 2021-06-04		State Final Release	
	Department EL PD		Title Han 10HPR-Compact-HTE-HC-SCL-M40		Number 19 40 510 0413		Doc-Key / ECM-Nr. 100871394 / UGD/003/C 500000196200		Rev. C		Page 1/1	
		All Dimensions in mm Original Size DIN A4		Scale 1:1		Free size tol.		Ref.		Sub.		
		D-32339 Espelkamp		HARTING								