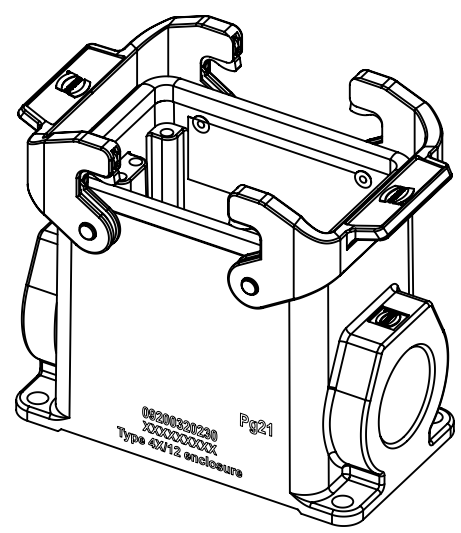
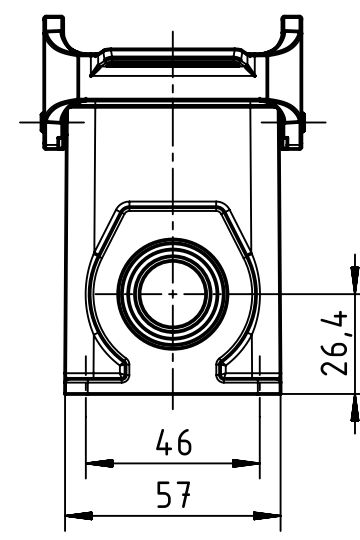
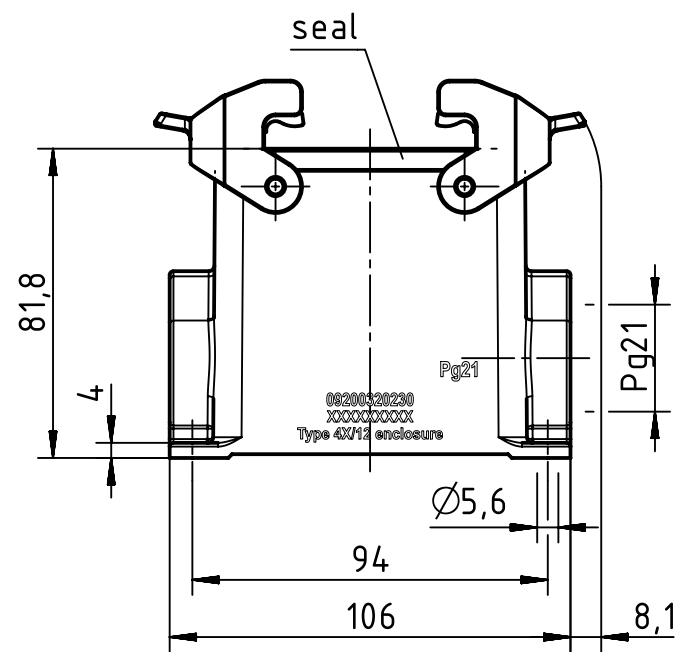


A

B

C

D



	All Dimensions in mm Original Size DIN A4		Scale 1:2	Free size tol.		Ref. Sub. TB 09 20 032 0230 v. 26.01.11		
		All rights reserved	Created by HELLMANN	Inspected by GERB	Standardisation GARSKE	Date 2019-12-02	State Final Release	
Department EL PD		Title Han 32A-asg1-QB-21				Doc-Key / ECM-Nr. 100206242/UGD/004/B 500000161416		
HARTING Electric GmbH & Co. KG D-32339 Espelkamp			Type TB	Number 09 20 032 0230			Rev. B	Page 1/1