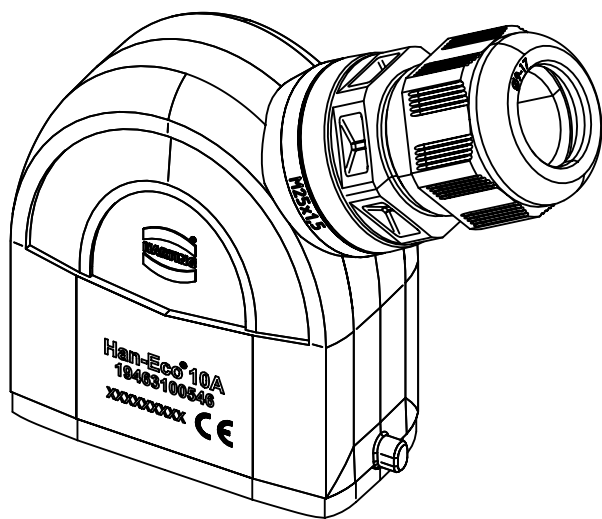
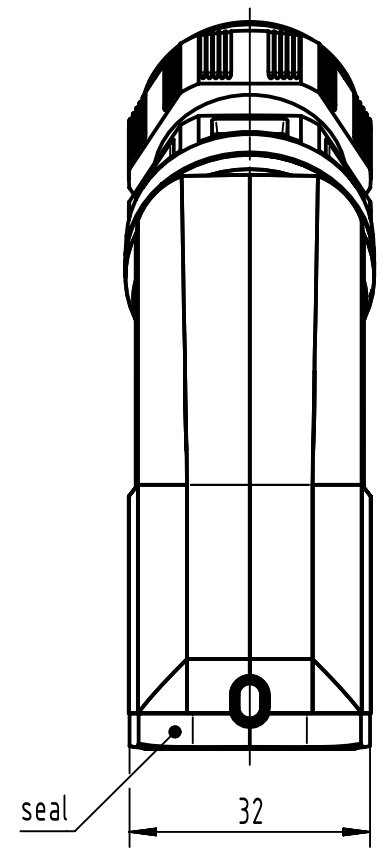
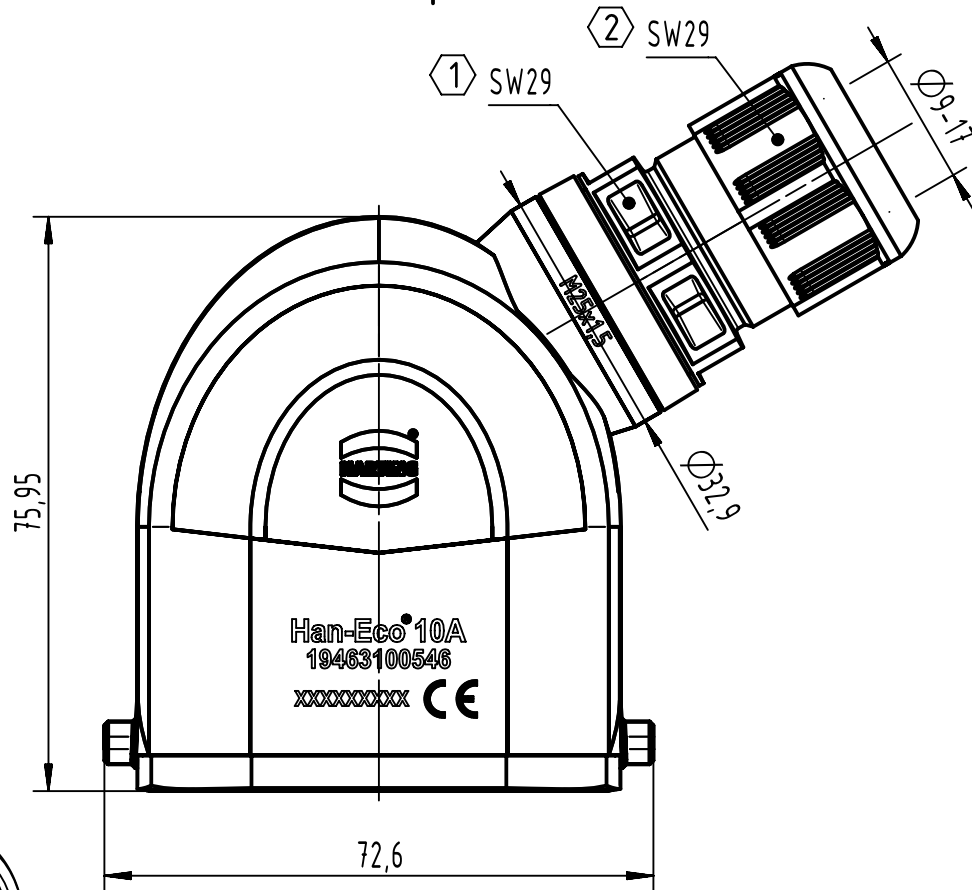



1 2 3 4 5 6

A
B
C
D



- ① tightening torque max. 10Nm
- ② tightening torque max. 4Nm

	All rights reserved Department EL PD	All Dimensions in mm Original Size DIN A4	Scale 1:1	Free size tol.	Ref. Sub.
		Created by 102700	Inspected by SUNDERMEIER	Standardisation	Date 2021-08-12
HARTING D-32339 Espelkamp		Title Han-Eco Outdoor 10A-HSE-M25 w. cable gl.			Doc-Key / ECM-Nr. 100613673/UGD/001/C 500000200802
		Type TB	Number 19 46 310 0546		Rev. C Page 1/1