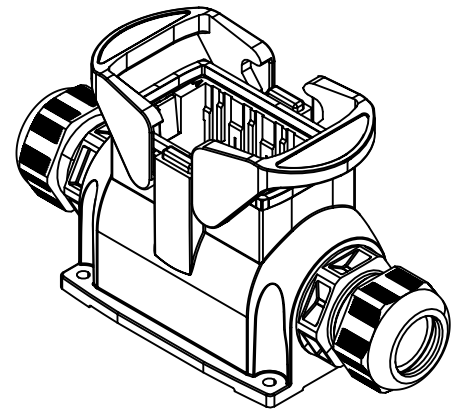
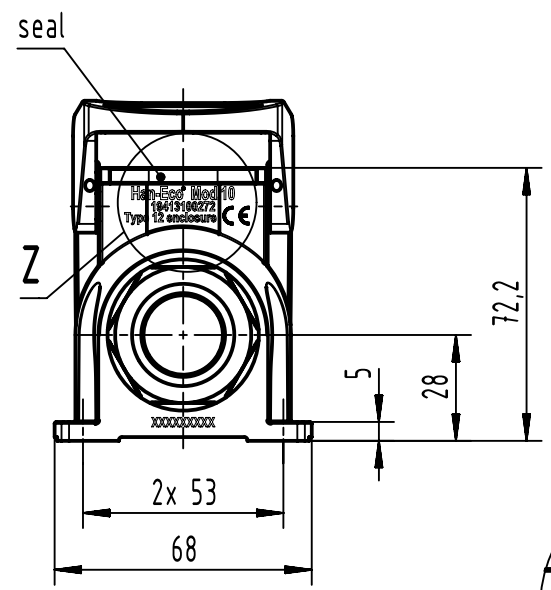
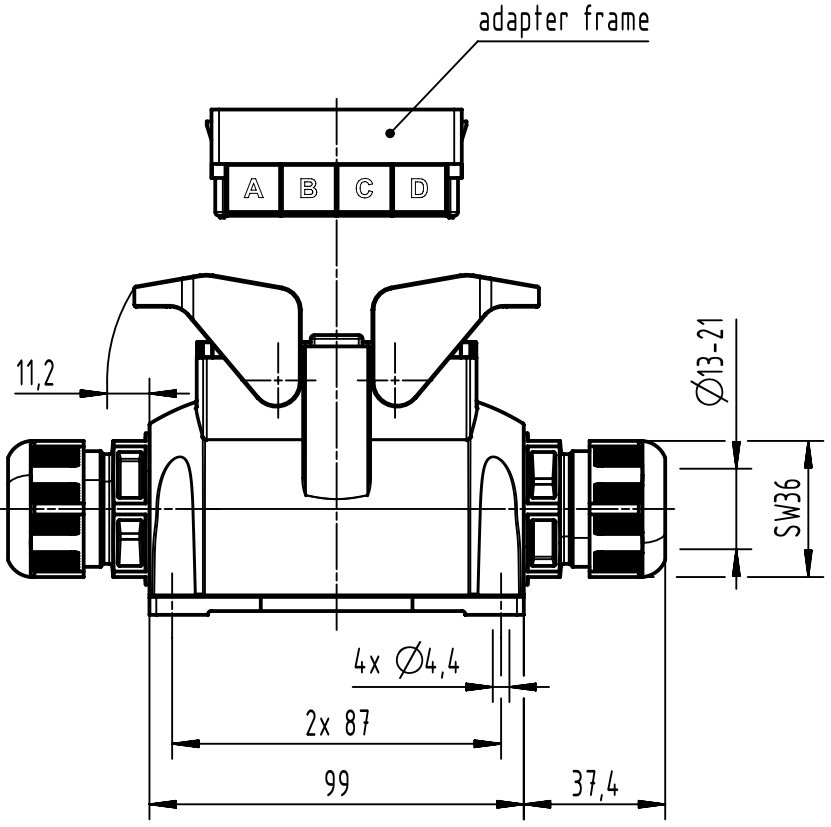


1 2 3 4 5 6

A
B
C
D



adapter frame and cable glands are enclosed

	All Dimensions in mm Original Size DIN A4		Scale 1:2	Free size tol.		Ref.		
						Sub.		
	All rights reserved		Created by BALSAN	Inspected by 402602	Standardisation 302077	Date 2021-03-05	State Final Release	
	Department EL PD		Title Han-Eco Mod.10 Outd.-HSM2-M32-glanded				Doc-Key / ECM-Nr. 100222558/UGD/006/G 500000190646	
HARTING D-32339 Espelkamp			Type TB	Number 19 41 310 0272			Rev. G	Page 1/1