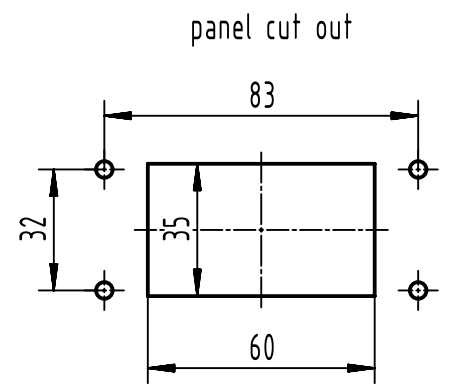
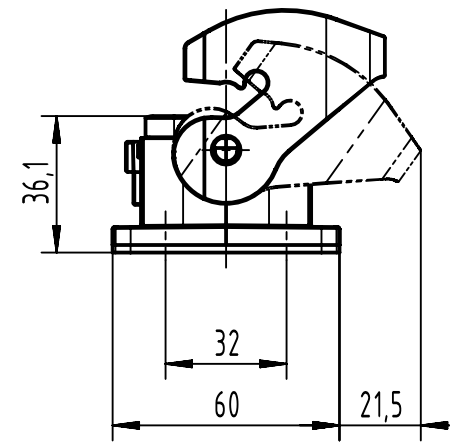
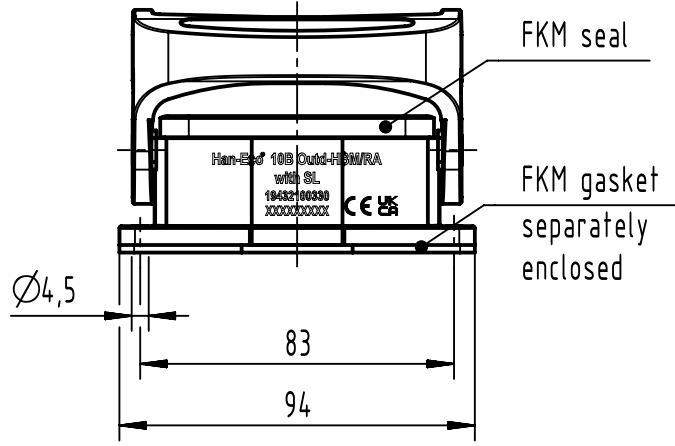
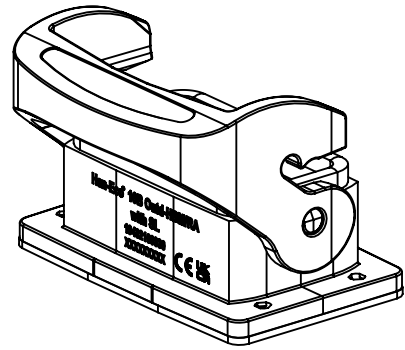
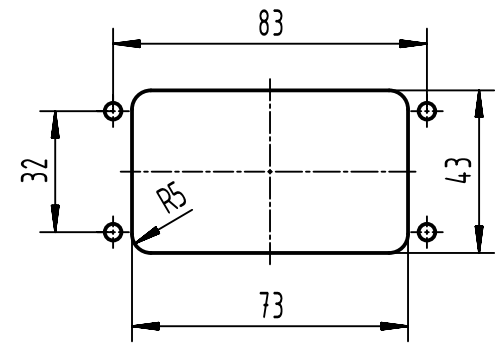
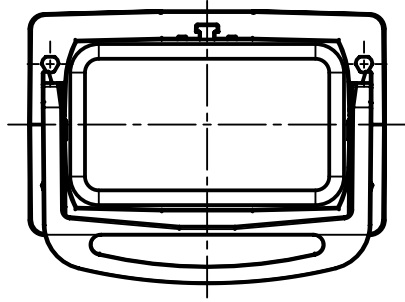


1 2 3 4 5 6

A  
B  
C  
D



panel cut out  
for assembly from  
the inner side of cabinet



	All Dimensions in mm Original Size DIN A4		Scale 1:2	Free size tol.		Ref.	
						Sub.	
	All rights reserved		Created by SPRENB	Inspected by HERBRECHTSME	Standardisation	Date 2023-06-02	
	Department EL PD					State Final Release	
HARTING			Title Han-Eco 10B Outd-HBM/RA-with SL			Doc-Key / ECM-Nr. 100767896/UGD/001/B 500000244.065	
D-32339 Espelkamp			Type TB	Number 19 43 210 0330			
						Rev. B	Page 1/1